

# Instructions for use

## WASHING MACHINE

**GB**

English,1

**CIS**

Русский,13

**PL**

Polski,25

**UK**

Українська,37

**PWSE 61070 S**

### Contents

#### Installation, 2-3

Unpacking and levelling  
Connecting the electricity and water supplies  
The first wash cycle  
Technical data

#### Description of the washing machine, 4-5

Control panel  
Display

#### Running a wash cycle, 6

#### Wash cycles and options, 7

Table of programmes and wash cycles  
Wash options

#### Detergents and laundry, 8

Detergent dispenser drawer  
Preparing the laundry  
Special wash cycles

#### Precautions and advice, 9

General safety  
Disposal

#### Care and maintenance, 10

Cutting off the water and electricity supplies  
Cleaning the washing machine  
Cleaning the detergent dispenser drawer  
Caring for the door and drum of your appliance  
Cleaning the pump  
Checking the water inlet hose

#### Troubleshooting, 11

#### Service, 12

**GB**

# Installation

GB

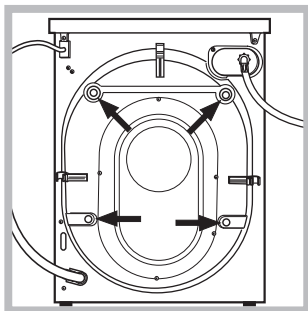
! This instruction manual should be kept in a safe place for future reference. If the washing machine is sold, transferred or moved, make sure that the instruction manual remains with the machine so that the new owner is able to familiarise himself/herself with its operation and features.

! Read these instructions carefully: they contain vital information relating to the safe installation and operation of the appliance.

## Unpacking and levelling

### Unpacking

1. Remove the washing machine from its packaging.
2. Make sure that the washing machine has not been damaged during the transportation process. If it has been damaged, contact the retailer and do not proceed any further with the installation process.



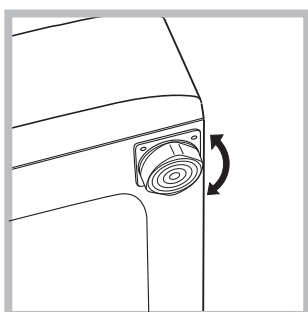
3. Remove the 4 protective screws (used during transportation) and the rubber washer with the corresponding spacer, located on the rear part of the appliance (see figure).

4. Close off the holes using the plastic plugs provided.
5. Keep all the parts in a safe place: you will need them again if the washing machine needs to be moved to another location.

! Packaging materials should not be used as toys for children.

### Levelling

1. Install the washing machine on a flat sturdy floor, without resting it up against walls, furniture cabinets or anything else.

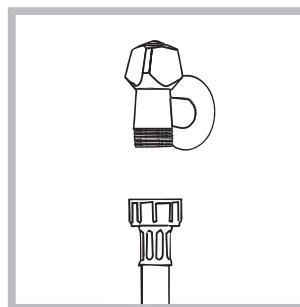


2. If the floor is not perfectly level, compensate for any unevenness by tightening or loosening the adjustable front feet (see figure); the angle of inclination, measured in relation to the worktop, must not exceed 2°.

Levelling the machine correctly will provide it with stability, help to avoid vibrations and excessive noise and prevent it from shifting while it is operating. If it is placed on carpet or a rug, adjust the feet in such a way as to allow a sufficient ventilation space underneath the washing machine.

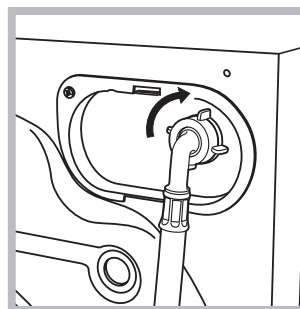
## Connecting the electricity and water supplies

### Connecting the water inlet hose



1. Connect the inlet hose by screwing it to a cold water tap using a 3/4 gas threaded connection (see figure).

Before performing the connection, allow the water to run freely until it is perfectly clear.



2. Connect the inlet hose to the washing machine by screwing it onto the corresponding water inlet of the appliance, which is situated on the top right-hand side of the rear part of the appliance (see figure).

3. Make sure that the hose is not folded over or bent.

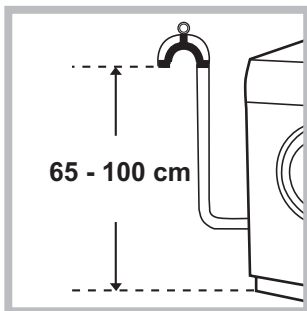
! The water pressure at the tap must fall within the range of values indicated in the Technical data table (see next page).

! If the inlet hose is not long enough, contact a specialised shop or an authorised technician.

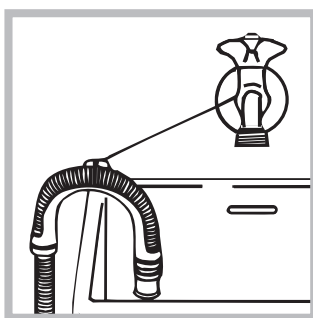
! Never use second-hand hoses.

! Use the ones supplied with the machine.

### Connecting the drain hose



Connect the drain hose, without bending it, to a drain duct or a wall drain situated between 65 and 100 cm from the floor;



alternatively, placed it over the edge of a basin, sink or tub, fastening the duct supplied to the tap (see figure). The free end of the hose should not be underwater.

! We advise against the use of hose extensions; if it is absolutely necessary, the extension must have the same diameter as the original hose and must not exceed 150 cm in length.

### Electrical connections

Before plugging the appliance into the electricity socket, make sure that:

- the socket is earthed and complies with all applicable laws;
- the socket is able to withstand the maximum power load of the appliance as indicated in the Technical data table (see opposite);
- the power supply voltage falls within the values indicated in the Technical data table (see opposite);
- the socket is compatible with the plug of the washing machine. If this is not the case, replace the socket or the plug.

! The washing machine must not be installed outdoors, even in covered areas. It is extremely dangerous to leave the appliance exposed to rain, storms and other weather conditions.

! When the washing machine has been installed, the electricity socket must remain within easy reach.

! Do not use extension cords or multiple sockets.



! The cable should not be bent or compressed.

! The power supply cable must only be replaced by authorised technicians.

Warning! The company shall not be held responsible in the event that these standards are not observed.

### The first wash cycle

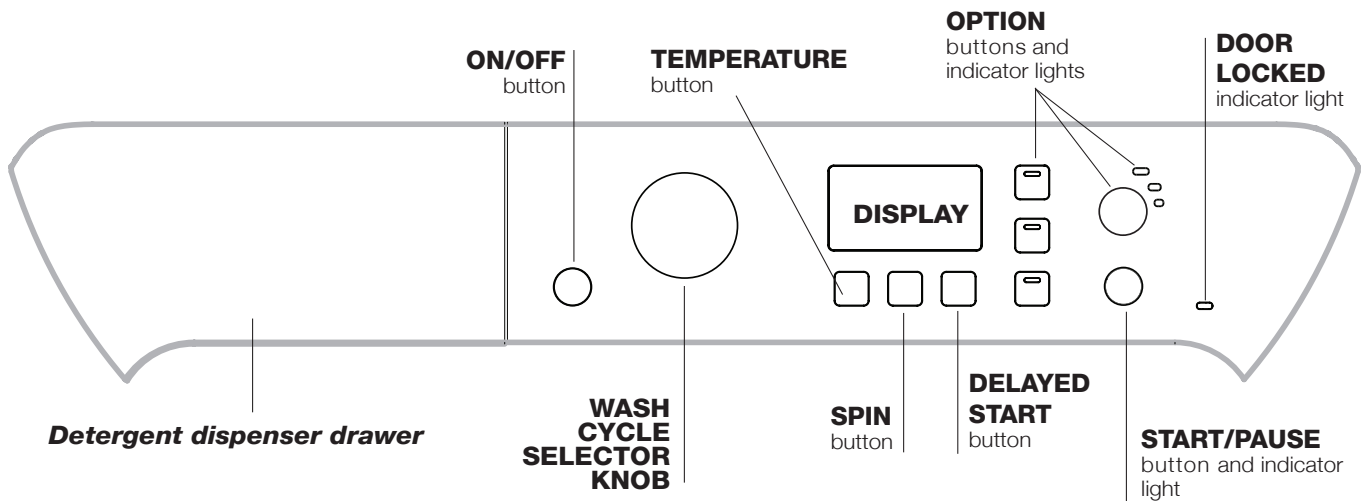
Once the appliance has been installed, and before you use it for the first time, run a wash cycle with detergent and no laundry, using wash cycle number 2.

Technical data	
<b>Model</b>	PWSE 61070 S
<b>Dimensions</b>	width 59.5 cm height 85 cm depth 44,5 cm
<b>Capacity</b>	from 1 to 6 kg
<b>Electrical connections</b>	please refer to the technical data plate fixed to the machine
<b>Water connections</b>	maximum pressure 1 MPa (10 bar) minimum pressure 0.05 MPa (0.5 bar) drum capacity 40 litres
<b>Spin speed</b>	up to 1000 rotations per minute
<b>Test Programmes according to 2010/1061</b>	programme 2; temperature 60°C and 40°C.
<b>Test Programmes according to EN 60456</b>	programme 2; temperature 60°C; using a load of 6 kg.
 	This appliance conforms to the following EC Directives: <ul style="list-style-type: none"> <li>- 2004/108/EC (Electromagnetic Compatibility)</li> <li>- 2006/95/EC (Low Voltage)</li> <li>- 2002/96/EC</li> </ul>


# Description of the washing machine

GB

## Control panel




**Detergent dispenser drawer:** used to dispense detergents and washing additives ( see “Detergents and laundry”).


**ON/OFF**  button: press this briefly to switch the machine on or off. The START/PAUSE indicator light which flashes slowly in a blue colour shows that the machine is switched on. To switch off the washing machine during the wash cycle, press and hold the button for approximately 3 seconds; if the button is pressed briefly or accidentally the machine will not switch off.


If the machine is switched off during a wash cycle, this wash cycle will be cancelled.



**WASH CYCLE SELECTOR KNOB:** used to set the desired wash cycle (see “Table of programmes and wash cycles”).



**OPTION** buttons and indicator lights: press to select the available options. The indicator light corresponding to the selected option will remain lit.

**SPIN**  button: press to reduce or completely exclude the spin cycle; the value appears on the display.

**TEMPERATURE**  button: press to reduce or completely exclude the temperature; the value appears on the display.

**DELAYED START**  button: press to set a delayed start for the selected wash cycle; the delay period appears on the display.

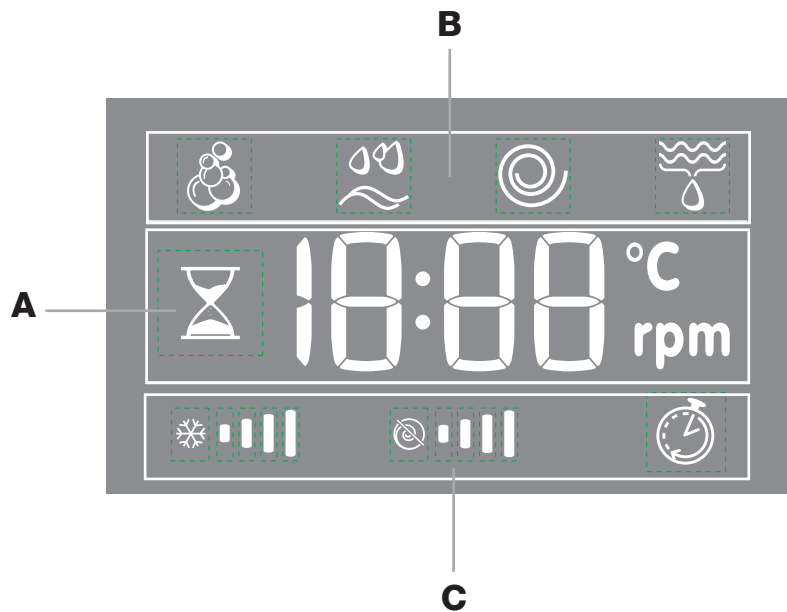
**START/PAUSE**  button and indicator light: when the blue indicator light flashes slowly, press the button to start a wash cycle. Once the cycle has begun the indicator light will remain lit in a fixed manner. To pause the wash cycle, press the button again; the indicator light will flash in an amber colour. If the  symbol is not illuminated, the door may be opened (wait approximately 3 minutes). To start the wash cycle from the point at which it was interrupted, press the button again.

**DOOR LOCKED**  indicator light: The lit symbol indicates that the door is locked. To prevent any damage, wait until the symbol turns off before opening the door (wait approximately 3 minutes). To open the door while a cycle is in progress, press the START/PAUSE button; if the DOOR LOCKED  symbol is switched off the door may be opened.

### Standby mode


This washing machine, in compliance with new energy saving regulations, is fitted with an automatic standby system which is enabled after about 30 minutes if no activity is detected. Press the ON-OFF button briefly and wait for the machine to start up again.

## Display







The display is useful when programming the machine and provides a great deal of information.

The duration of the available wash cycles and the remaining time of a running cycle appear in section **A**; if the DELAYED START option has been set, the countdown to the start of the selected wash cycle will appear.

Pressing the corresponding button allows you to view the maximum spin speed and temperature values attained by the machine during the set wash cycle, or the values selected most recently, if these are compatible with the set wash cycle. The hour-glass flashes while the machine is processing data, depending on the wash cycle and  level selected. After a maximum of 10 minutes, the “hour-glass” icon remains lit in a fixed manner and the final amount of time remaining is displayed. The hour-glass icon will then switch off approximately 1 minute after the final amount of time remaining has appeared.


The “wash cycle phases” corresponding to the selected wash cycle and the “wash cycle phase” of the running wash cycle appear in section **B**:

-  Main wash
-  Rinse
-  Spin
-  Drain

The icons corresponding to “temperature”, “spin” and “delayed start” (working from the left) are displayed in section **C**.


The “temperature” bars  indicate the maximum temperature level which may be selected for the set cycle.




The “spin” bars  indicate the maximum spin level which may be selected for the set cycle.



The “delay” symbol , when lit, indicates that the set “delayed start” value has appeared on the display.

# Running a wash cycle

GB

1. **SWITCH THE MACHINE ON.** Press the  button; the START/PAUSE indicator light will flash slowly in a blue colour.
2. **LOAD THE LAUNDRY.** Open the porthole door. Load the laundry, making sure you do not exceed the maximum load value indicated in the table of programmes and wash cycles on the following page.
3. **MEASURE OUT THE DETERGENT.** Pull out the detergent dispenser drawer and pour the detergent into the relevant compartments as described in “*Detergents and laundry*”.
4. **CLOSE THE DOOR.**
5. **SELECT THE WASH CYCLE.** Use the WASH CYCLE SELECTOR knob to select the desired wash cycle. A temperature and spin speed is set for each wash cycle; these values may be adjusted. The duration of the cycle will appear on the display.
6. **CUSTOMISE THE WASH CYCLE.** Use the relevant buttons:

 **Modify the temperature and/or spin speed.** The machine automatically displays the maximum temperature and spin speed values set for the selected cycle, or the most recently-used settings if they are compatible with the selected cycle. The temperature can be decreased by pressing the  button, until the cold wash “**OFF**” setting is reached. The spin speed may be progressively reduced by pressing the  button, until it is completely excluded (the “**OFF**” setting). If these buttons are pressed again, the maximum values are restored.


 **Setting a delayed start.** To set a delayed start for the selected cycle, press the corresponding button repeatedly until the required delay period has been reached. When this option has been activated, the  symbol lights up on the display. To remove the delayed start setting, press the button until the text “**OFF**” appears on the display.

 **Modify the cycle settings.**




- Press the button to enable the option; the indicator light corresponding to the button will switch on.
- Press the button again to disable the option; the indicator light will switch off.


! If the selected option is not compatible with the set wash cycle, the indicator light will flash and the option will not be activated.

! If the selected option is not compatible with a previously selected one, the indicator light corresponding to the first function selected will flash and only the second option will be activated; the indicator light for the option which has been activated will be illuminated.

**Note:** if the  option has been selected, none of the incompatible options may be activated.

! The options may affect the recommended load value and/or the duration of the cycle.

7. **START THE WASH CYCLE.** Press the START/PAUSE button. The corresponding indicator light will turn blue, remaining lit in a fixed manner, and the door will be locked (the DOOR LOCKED  symbol will be lit). To change a wash cycle while it is in progress, **pause the washing machine** using the START/PAUSE button (the START/PAUSE indicator light will flash slowly in an amber colour); then select the desired cycle and press the START/PAUSE button again. To open the door while a cycle is in progress, press the START/PAUSE button; if the DOOR LOCKED  symbol is switched off the door may be opened (wait approximately 3 minutes). Press the START/PAUSE button again to restart the wash cycle from the point at which it was interrupted.
8. **THE END OF THE WASH CYCLE.** This will be indicated by the text “**END**” on the display; when the DOOR LOCKED  symbol switches off the door may be opened (wait approximately 3 minutes). Open the door, unload the laundry and switch off the machine.

! If you wish to cancel a cycle which has already begun, press and hold the  button. The cycle will be stopped and the machine will switch off.

## Load balancing system

Before every spin cycle, to avoid excessive vibrations before every spin and to distribute the load in a uniform manner, the drum rotates continuously at a speed which is slightly greater than the washing rotation speed. If, after several attempts, the load is not balanced correctly, the machine spins at a reduced spin speed. If the load is excessively unbalanced, the washing machine performs the distribution process instead of spinning. To encourage improved load distribution and balance, we recommend small and large garments are mixed in the load.

**Table of programmes and wash cycles**

Wash cycles	Description of the wash cycle	Max. temp. (°C)	Max. speed (rpm)	Detergents				Max. load (kg)	Cycle duration	
				Pre-wash	Main wash	Bleach	Fabric softener			
<b>Daily Programs</b>										
1	<b>Cottons with Pre-wash:</b> extremely soiled whites.	90°	1000	●	●	-	●	6	The duration of the wash cycles can be checked on the display.	
2	<b>White Cottons:</b> extremely soiled whites.	90°	1000	-	●	●	●	6		
2	<b>White Cottons (1):</b> heavily soiled whites and resistant colours.	60°	1000	-	●	●	●	6		
2	<b>White Cottons (1-2):</b> heavily soiled whites and delicate colours.	40°	1000	-	●	●	●	6		
3	<b>Cottons:</b> heavily soiled whites and resistant colours.	60°	1000	-	●	●	●	6		
4	<b>Coloured Cottons(3):</b> lightly soiled whites and delicate colours.	40°	1000	-	●	●	●	6		
5	<b>Synthetics:</b> heavily soiled resistant colours.	60°	800	-	●	●	●	2,5		
6	<b>Synthetics:</b> lightly soiled resistant colours.	40°	800	-	●	●	●	2,5		
7	<b>Jeans</b>	40°	800	-	●	-	●	2,5		
8	<b>Shirts</b>	40°	600	-	●	●	●	2		
9	<b>Mix-Cool 30':</b> to refresh lightly soiled garments quickly (not suitable for wool, silk and clothes which require washing by hand).	Cold water	800	-	●	-	●	3		
<b>Special cycles</b>										
10	<b>Wool:</b> for wool, cashmere, etc.	40°	600	-	●	-	●	1		
11	<b>Silk/Curtains:</b> for garments in silk and viscose, lingerie.	30°	0	-	●	-	●	1		
12	<b>Sport Shoes</b>	30°	600	-	●	-	●	Max.2 paires		
13	<b>Outwear</b>	30°	400	-	●	-	-	1,5		
<b>Partial cycles</b>										
	Rinse	-	1000	-	-	●	●	6		
	Spin	-	1000	-	-	-	-	6		
	Drain	-	0	-	-	-	-	6		

The length of cycle shown on the display or in this booklet is an estimation only and is calculated assuming standard working conditions. The actual duration can vary according to factors such as water temperature and pressure, the amount of detergent used, the amount and type of load inserted, load balancing and any wash options selected.

**For all Test Institutes:**

- 1) Test wash cycle in compliance with regulation 2010/1061: select wash cycle 2 with a temperature of 60°C and 40°C.
- 2) Long wash cycle for cottons: select wash cycle 2 with a temperature of 40.
- 3) Short wash cycle for cottons: select wash cycle 4 with a temperature of 40.
- 1) Test wash cycle in compliance with regulation EN 60456: select wash cycle 2 with a temperature of 60°C.

## Wash options

The “PRIME” technology optimises energy, water and time consumption according to the quantity of garments actually inserted in the machine. Moreover, pressing the button allows for selecting the following options:

- **Water:** allows for reducing water consumption without having to renounce impeccable results (recommended for heavily soiled garments).
  - **Energy:** automatically selected by “PRIME”, this option reduces energy consumption (recommended for normally soiled garments).
  - **Time:** allows for reducing wash cycle duration (recommended for lightly soiled garments).
- ! This may only be used in conjunction with wash cycles 1, 2, 3, 4, 5, 6 (all three levels) and 7, 8, 9 (- **Energy** and - **Time** levels).

### Extra Rinse

By selecting this option, the efficiency of the rinse is increased and optimal detergent removal is guaranteed. It is particularly useful for sensitive skin.

! It cannot be used in conjunction with wash cycles 9, , .

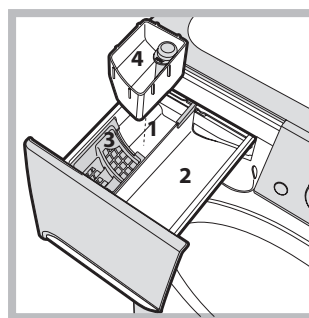
### Easy iron

By selecting this function, the wash and spin cycles will be modified in order to reduce the formation of creases. At the end of the cycle the washing machine will perform slow rotations of the drum, while the EASY IRON and START/PAUSE indicator lights will flash (blue

and orange respectively). To end the cycle, press the START/PAUSE button or the EASY IRON button. For wash cycles number 11-13, the machine will end the cycle while the laundry is soaking; the EASY IRON and START/PAUSE indicator lights will flash. To drain the water so that the laundry may be removed, press the START/PAUSE button or the EASY IRON button.

! It cannot be used in conjunction with wash cycles 9, 10, 12, , .

### Stain removal



This function is particularly useful for the removal of stubborn stains. Insert extra compartment 4 (supplied with the appliance) into compartment 1. When pouring in the bleach, be careful not to exceed the “max” level marked on the central pivot (see figure). To bleach laundry with no other washing action, pour the bleach into extra

compartment 4, select the “Rinse” cycle and activate the “Stain removal” option . To bleach during a wash cycle, pour in the detergent and any fabric softener you wish to use, select the desired wash cycle and enable the “Stain removal” option. The use of extra compartment 4 excludes the pre-wash function.

! It cannot be used in conjunction with wash cycles 1, 7, 9, 10, 11, 12, 13, , .

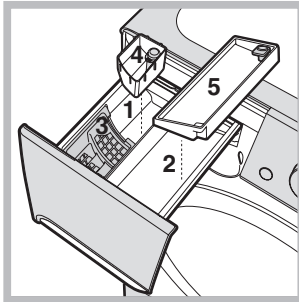
# Detergents and laundry

GB

## Detergent dispenser drawer

Successful washing results also depend on the correct dose of detergent: adding too much detergent will not necessarily result in a more efficient wash, and may in fact cause build up on the inside of your appliance and contribute to environmental pollution.

! Do not use hand washing detergents; they create too much foam.



Open the detergent dispenser drawer and pour in the detergent or washing additive, as follows.

### Compartment 1: Pre-wash detergent (powder)

Before pouring in the detergent, make sure that extra compartment 4 has been removed.

### Compartment 2: Washing detergent (powder or liquid)

Liquid detergent should only be poured in immediately prior to the start of the wash cycle.

### Compartment 3: Additives (fabric softeners, etc.)

The fabric softener should not overflow the grid.

### Extra compartment 4: Bleach

Extra compartment 5: we recommend this compartment is used for liquid detergent.

## Preparing the laundry

- Divide the laundry according to:
  - the type of fabric/the symbol on the label
  - the colours: separate coloured garments from whites.
- Empty all garment pockets and check the buttons.
- Do not exceed the listed values, which refer to the weight of the laundry when dry:
  - Durable fabrics: max. 6 kg
  - Synthetic fabrics: max. 2,5 kg
  - Delicate fabrics: max. 2 kg
  - Wool: max. 1 kg
  - Silk: max. 1 kg

### How much does your laundry weigh?

- 1 sheet 400-500 g
- 1 pillow case 150-200 g
- 1 tablecloth 400-500 g
- 1 bathrobe 900-1.200 g
- 1 towel 150-250 g


## Special wash cycles

**Jeans:** turn the garments inside out before washing and use liquid detergent. Use wash cycle 7.

**Shirts:** use special wash cycle 8 to wash shirts in various fabrics and colours.

It guarantees maximum care is taken of the garments and minimises the formation of creases.

**Mix-Cool 30':** this wash cycle was designed to wash lightly soiled garments quickly: it lasts just 30 minutes and therefore saves both energy and time. By selecting wash cycle 9, it is possible to wash different fabrics (except for wool and silk items) using a cold cycle, up to a maximum load of 3 kg.

**Wool:** wash cycle 10 can be used to wash all woollen garments in the machine, even those carrying the "hand wash only"  label. To achieve the best results, use a special detergent and do not exceed the maximum load of 1 kg.

**Silk:** use special wash cycle 11 to wash all silk garments. We recommend the use of special detergent which has been designed to wash delicate clothes.

**Curtains:** we recommend you fold the curtains and place them in a pillow case or mesh bag. Use wash cycle 11.

**Sport Shoes** (wash cycle 12): is for washing sports shoes; for best results, do not wash more than 2 pairs simultaneously.

**Outwear** (wash cycle 13): is studied for washing water-repellent fabrics and winter jackets (e.g. Gore-Tex, polyester, nylon); for best results, use a liquid detergent and dosage suitable for a half-load; pre-treat necks, cuffs and stains if necessary; do not use softeners or detergents containing softeners. *Stuffed duvets cannot be washed with this programme.*



! This washing machine was designed and constructed in accordance with international safety regulations. The following information is provided for safety reasons and must therefore be read carefully.

## General safety

- This appliance was designed for domestic use only.
- This appliance is not intended for use by persons (including children) with reduced physical, sensory or mental capabilities, or lack of experience and knowledge, unless they have been given supervision or instruction concerning use of the appliance by a person responsible for their safety. Children should be supervised to ensure that they do not play with the appliance.
- The washing machine must only be used by adults, in accordance with the instructions provided in this manual.
- Do not touch the machine when barefoot or with wet or damp hands or feet.
- Do not pull on the power supply cable when unplugging the appliance from the electricity socket. Hold the plug and pull.
- Do not open the detergent dispenser drawer while the machine is in operation.
- Do not touch the drained water as it may reach extremely high temperatures.
- Never force the porthole door. This could damage the safety lock mechanism designed to prevent accidental opening.
- If the appliance breaks down, do not under any circumstances access the internal mechanisms in an attempt to repair it yourself.
- Always keep children well away from the appliance while it is operating.
- The door can become quite hot during the wash cycle.
- If the appliance has to be moved, work in a group of two or three people and handle it with the utmost care. Never try to do this alone, because the appliance is very heavy.
- Before loading laundry into the washing machine, make sure the drum is empty.

## Disposal

- Disposing of the packaging materials: observe local regulations so that the packaging may be re-used.
- The European Directive 2002/96/EC relating to Waste Electrical and Electronic Equipment (WEEE) states that household appliances should not be disposed of using the normal solid urban waste cycle. Exhausted appliances should be collected separately in order to optimise the cost of re-using and recycling the materials inside the machine, while preventing potential damage

to the atmosphere and to public health. The crossed-out dustbin is marked on all products to remind the owner of their obligations regarding separated waste collection. For more information relating to the correct disposal of household appliances, owners should contact their local authorities or appliance dealer.

# Care and maintenance

GB

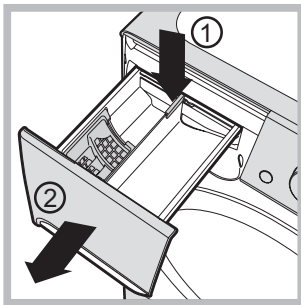
## Cutting off the water and electricity supplies

- Turn off the water tap after every wash cycle. This will limit wear on the hydraulic system inside the washing machine and help to prevent leaks.
- Unplug the washing machine when cleaning it and during all maintenance work.

## Cleaning the washing machine

The outer parts and rubber components of the appliance can be cleaned using a soft cloth soaked in lukewarm soapy water. Do not use solvents or abrasives.

## Cleaning the detergent dispenser drawer



To remove the drawer, press lever (1) and pull the drawer outwards (2) (see figure). Wash it under running water; this procedure should be repeated frequently.

## Caring for the door and drum of your appliance

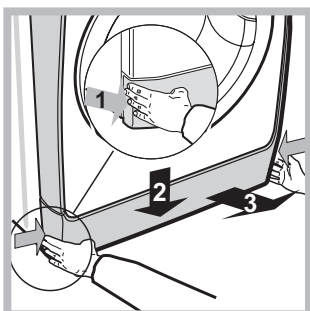
- Always leave the porthole door ajar in order to prevent unpleasant odours from forming.

## Cleaning the pump

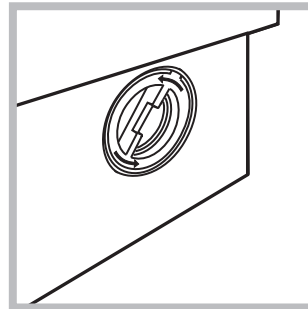
The washing machine is fitted with a self-cleaning pump which does not require any maintenance. Sometimes, small items (such as coins or buttons) may fall into the protective pre-chamber at the base of the pump.

! Make sure the wash cycle has finished and unplug the appliance.

To access the pre-chamber:



1. Take off the cover panel on the front of the machine by first pressing it in the centre and then pushing downwards on both sides until you can remove it (see figures).



2. Unscrew the lid by rotating it anti-clockwise (see figure): a little water may trickle out. This is perfectly normal.

3. Clean the inside thoroughly.
4. Screw the lid back on.
5. Reposition the panel, making sure the hooks are securely in place before you push it onto the appliance.

## Checking the water inlet hose

Check the inlet hose at least once a year. If there are any cracks, it should be replaced immediately: during the wash cycles, water pressure is very strong and a cracked hose could easily split open.

! Never use second-hand hoses.

Your washing machine could occasionally fail to work. Before contacting the Technical Assistance Service (see “Service”), make sure that the problem cannot be not solved easily using the following list.

**Problem:****Possible causes / Solutions:**

**The washing machine does not switch on.**

- The appliance is not plugged into the socket fully, or not enough to make contact.
- There is no power in the house.

**The wash cycle does not start.**

- The washing machine door is not closed properly.
- The ON/OFF button has not been pressed.
- The START/PAUSE button has not been pressed.
- The water tap has not been opened.
- A delayed start has been set.

**The washing machine does not fill with water (the text “H2O” flashes on the display).**

- The water inlet hose is not connected to the tap.
- The hose is bent.
- The water tap has not been opened.
- There is no water supply in the house.
- The pressure is too low.
- The START/PAUSE button has not been pressed.

**The washing machine continuously takes in and drains water.**

- The drain hose is not fitted at a height between 65 and 100 cm from the floor (see “Installation”).
- The free end of the hose is under water (see “Installation”).
- The wall drainage system is not fitted with a breather pipe.

If the problem persists even after these checks, turn off the water tap, switch the appliance off and contact the Technical Assistance Service. If the dwelling is on one of the upper floors of a building, there may be problems relating to water drainage, causing the washing machine to fill with water and drain continuously. Special anti-draining valves are available in shops and help to prevent this inconvenience.

**The washing machine does not drain or spin.**

- The wash cycle does not include draining: some cycles require the draining process to be enabled manually.
- The EASY IRON option is enabled: To complete the wash cycle, press the START/PAUSE button (see “Wash cycles and options”).
- The drain hose is bent (see “Installation”).
- The drainage duct is clogged.

**The washing machine vibrates a lot during the spin cycle.**

- The drum was not unlocked correctly during installation (see “Installation”).
- The washing machine is not level (see “Installation”).
- The washing machine is trapped between cabinets and walls (see “Installation”).

**The washing machine leaks.**

- The water inlet hose is not screwed on properly (see “Installation”).
- The detergent dispenser drawer is blocked (for cleaning instructions, see “Care and maintenance”).
- The drain hose is not fixed properly (see “Installation”).

**The “option” and START/PAUSE indicator lights flash rapidly and an error code appears on the display (e.g.: F-01, F-...).**

- Switch off the machine and unplug it, wait for approximately 1 minute and then switch it back on again.  
If the problem persists, contact the Technical Assistance Service.

**There is too much foam.**

- The detergent is not suitable for machine washing (it should display the text “for washing machines” or “hand and machine wash”, or the like).
- Too much detergent was used.

# Service

---

GB

## **Before contacting the Technical Assistance Service:**

- Check whether you can solve the problem alone (see “*Troubleshooting*”).
- Restart the wash cycle to check whether the problem has been solved.
- If this is not the case, contact an authorised Technical Assistance Centre.

! Always request the assistance of authorised technicians.

## **Have the following information to hand:**

- the type of problem;
- the appliance model (Mod.);
- the serial number (S/N).

This information can be found on the data plate applied to the rear of the washing machine, and can also be found on the front of the appliance by opening the door.

# Руководство по эксплуатации

## СТИРАЛЬНАЯ МАШИНА

CIS

Русский

PWSE 61070 S

### Содержание

#### Монтаж, 14-15

Распаковка и выравнивание  
Подключение к водопроводной и электрической сети  
Первый цикл стирки  
Технические данные

#### Описание стиральной машины, 16-17

Консоль управления  
Дисплей

#### Цикл стирки, 18

#### Программы и дополнительные функции, 19

Таблица программ  
Дополнительные функции мойки

#### Стиральные порошки и белье, 20

Ячейка для стирального порошка  
Подготовка белья  
Специальные программы

#### Предосторожности и рекомендации, 21

Общие требования по безопасности  
Утилизация

#### Техническое обслуживание и уход, 22

Отключение воды и электрического тока  
Порядок чистки стиральной машины  
Чистка ячейки для стирального порошка  
Уход за люком и барабаном  
Порядок чистки насоса  
Проверка шланга подачи воды

#### Неисправности и методы их устранения, 23

#### Сервисное обслуживание, 24

# Установка

CIS

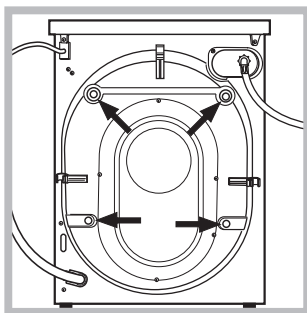
! Сохраните данное руководство. Оно должно быть в комплекте со стиральной машиной в случае продажи, передачи оборудования или при переезде на новую квартиру, чтобы новый владелец оборудования мог ознакомиться с правилами его функционирования и обслуживания.

! Внимательно прочитайте руководство: в нем содержатся важные сведения по установке и безопасной эксплуатации стиральной машины.

## Распаковка и выравнивание

### Распаковка

1. Распакуйте стиральную машину.
2. Убедитесь, что оборудование не было повреждено во время транспортировки. При обнаружении повреждений – не подключайте машину – свяжитесь с поставщиком немедленно.



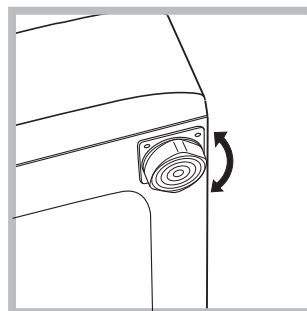
3. Удалите четыре транспортировочных винта и резиновые пробки с прокладками, расположенные в задней части стиральной машины (см. рис.).

4. Закройте отверстия прилагающимися пластиковыми заглушками.
5. Сохраняйте все детали: они Вам понадобятся при последующей транспортировке стиральной машины.

! Не разрешайте детям играть с упаковочными материалами.

### Выравнивание

1. Установите стиральную машину на ровном и прочном полу, так чтобы она не касалась стен, мебели и прочих предметов.



2. После установки машины на место отрегулируйте ее устойчивое положение путем вращения передних ножек (см. рис.). Для этого сначала ослабьте контргайку, после завершения регулировки контргайку затяните.

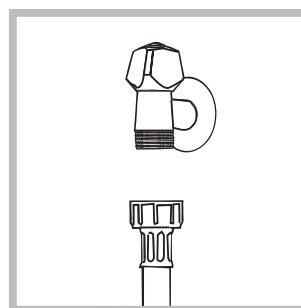
После установки машины на место проверьте по уровню горизонтальность верхней крышки корпуса, отклонение горизонтали должно быть не более 2°.

Правильное выравнивание оборудования поможет избежать шума, вибраций и смещений во время работы машины.

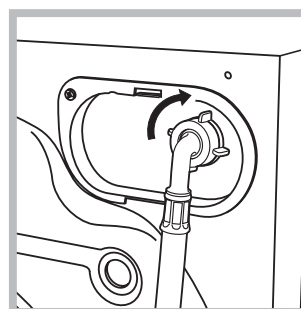
Если стиральная машина стоит на полу, покрытом ковром, убедитесь, что ее основание возвышается над ковром. В противном случае вентиляция будет затруднена или вовсе невозможна.

## Подключение к водопроводной и электрической сети

### Подсоединение заливного шланга



1. дачи к крану холодной воды с резьбовым отверстием 3/4 gas (см. схему). Перед подсоединением откройте водопроводный кран до тех пор, пока из него не потечет чистая вода.



2. Подсоедините заливной шланг к стиральной машине, навинтив его на водоприемник, расположенный в задней верхней части справа (см. рис.).

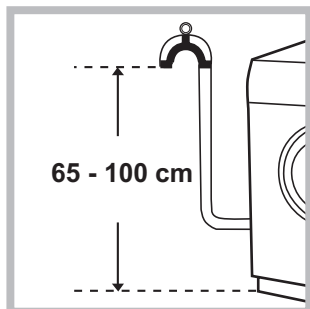
3. Убедитесь, что шланг не перекручен и не пережат.

! Давление воды должно быть в пределах значений, указанных в таблице Технических характеристик.

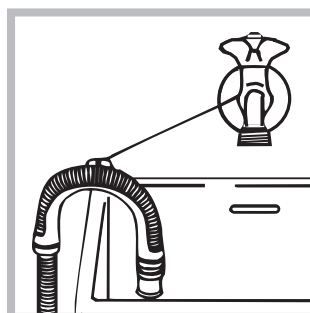
! Если длина водопроводного шланга окажется недостаточной, обратитесь в Авторизованный сервисный центр.

! Никогда не используйте шланги, бывшие в употреблении.

### Присоединение сливного шланга



Подсоедините сливной шланг, не сгибая его, к сливному трубопроводу или к настенному сливу, расположенному на высоте 65 – 100 см от пола.



или поместите конец шланга в раковину или в ванну, прикрепив прилагающуюся направляющую к крану (см. схему). Свободный конец сливного шланга не должен быть погружен в воду.

! Не рекомендуется использовать удлинительные шланги. При необходимости удлинение должно иметь такой же диаметр, что и оригинальный шланг, и его длина не должна превышать 150 см.

### Электрическое подключение

Перед подсоединением штепсельной вилки изделия к сетевой розетке необходимо проверить следующее:

- сетевая розетка должна быть заземлена и соответствовать нормативам;
- сетевая розетка должна быть рассчитана на максимальную мощность стиральной машины, указанную в таблице Технические данные (см. таблицу сбоку);
- напряжение электропитания должно соответствовать значениям, указанным в таблице Технические данные (см. таблицу сбоку);
- сетевая розетка должна быть совместимой со штепсельной вилкой стиральной машины. В противном случае необходимо заменить сетевую розетку или штепсельную вилку.

! Запрещается устанавливать стиральную машину на улице, даже под навесом, так как является опасным подвергать ее воздействию дождя и грозы.

! Стиральная машина должна быть расположена таким образом, чтобы доступ к сетевой розетке оставался свободным.

! Не используйте удлинители и тройники.

! Сетевой кабель изделия не должен быть согнут или сжат.

! Замена сетевого кабеля может осуществляться только уполномоченными техниками.

Внимание! Компания-производитель снимает с себя всякую ответственность в случае несоблюдения вышеописанных правил.

### Первый цикл стирки

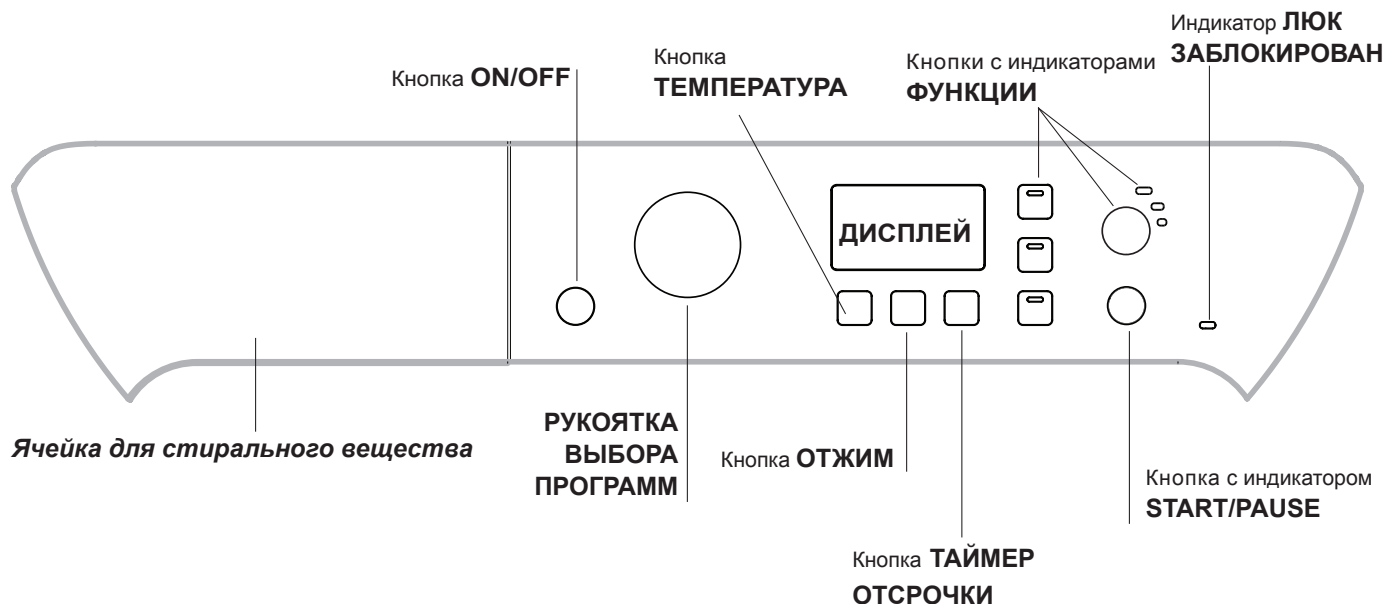
По завершении установки, перед началом эксплуатации необходимо произвести один цикл стирки со стиральным веществом, но без белья, по программе 2.

Технические данные	
Модель	PWSE 61070 S
Страна-изготовитель	Италия
Габаритные размеры	ширина 59,5 см. высота 85 см. глубина 44,5 см.
Вместимость	от 1 до 6 кг
Номинальное значение напряжения электропитания или диапазон напряжения	220-240 V ~
Условное обозначение рода электрического тока или номинальная частота переменного тока	50 Hz
Класс защиты от поражения электрическим током	Класс защиты I
Водопроводное подсоединение	максимальное давление 1 МПа (10 бар) минимальное давление 0,05 МПа (0,5 бар) емкость барабана 40 литра
Скорость отжима	до 1000 оборотов в минуту
Программы управления в соответствии с Директивой EN 60456	программа 2; температура 60°C; загрузка 6 кг белья.
 	Данное изделие соответствует следующим Директивам Европейского Сообщества: - 2004/108/CE (Электромагнитная совместимость); - 2006/95/CE (Низкое напряжение); - 2002/96/CE
В случае необходимости получения информации по сертификатам соответствия или получения копий сертификатов соответствия на данную технику, Вы можете отправить запрос по электронному адресу <a href="mailto:cert.rus@indesit.com">cert.rus@indesit.com</a> .	
Дату производства данной техники можно получить из серийного номера, расположенного под штрих-кодом (S/N XXXXXXXXX), следующим образом	- 1-ая цифра в S/N соответствует последней цифре года, - 2-ая и 3-я цифры в S/N - порядковому номеру месяца года, - 4-ая и 5-ая цифры в S/N - день
Степень защиты от попадания твердых частиц и влаги, обеспечиваемая защитной оболочкой, за исключением низковольтного оборудования, не имеющего защиты от влаги: <b>IPX04</b>	
Класс энергопотребления	A


# Описание стиральной машины

CIS

## Консоль управления




**Ячейки для стирального вещества:** для загрузки стиральных веществ и добавок (см. “Стиральные вещества и типы белья”).

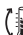
Кнопка **ON/OFF** : быстро нажмите эту кнопку для включения или выключения машины. Индикатор **START/PAUSE**, редко мигающий синим цветом, означает, что машина включена. Для выключения стиральной машины в процессе стирки необходимо держать нажатой кнопку, примерно 3 секунды. Короткое или случайное нажатие не приведет к отключению машины.


В случае выключения машины в процессе стирки текущий цикл отменяется.



**РУКОЯТКА ВЫБОРА ПРОГРАММ:** служат для выбора нужной программы (см. “Таблица программ”).



Кнопки и индикаторы **ДОПОЛНИТЕЛЬНЫЕ ФУНКЦИИ:** служат для выбора имеющихся дополнительных функций. Индикатор, соответствующий выбранной функции, останется включенным.

Кнопка **ОТЖИМ** : нажмите эту кнопку для сокращения скорости или полного исключения отжима – значение показывается на дисплее.

Кнопка **ТЕМПЕРАТУРА** : нажмите эту кнопку для сокращения температуры или полного исключения нагрева – значение показывается на дисплее.

Кнопка **ТАЙМЕР ОТСРОЧКИ** : нажмите эту кнопку для программирования задержки запуска выбранной программы; время задержки показывается на дисплее.

Кнопка и индикатор **START/PAUSE** : когда синий индикатор редко мигает, нажмите кнопку для запуска цикла стирки. После пуска цикла индикатор перестает мигать. Для прерывания стирки вновь нажмите эту кнопку; индикатор замигает оранжевым цветом. Если символ  не горит, можно открыть люк машины (ожидайте приблиз. 3 минуты). Для возобновления стирки с момента, когда она была прервана, вновь нажмите эту кнопку.

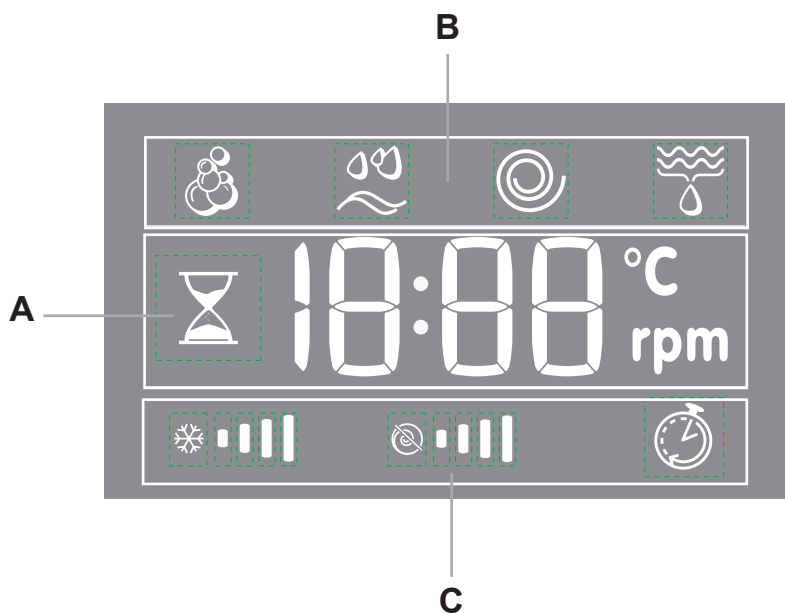
Индикатор **ЛЮК ЗАБЛОКИРОВАН** : Включенный символ означает, что люк заблокирован. Во избежание повреждений, перед тем как открыть люк, необходимо дождаться, пока погаснет этот символ (ожидайте приблиз. 3 минуты). Если требуется открыть люк после запуска цикла, нажмите кнопку **START/PAUSE**. Когда погаснет индикатор **ЛЮК ЗАБЛОКИРОВАН** , можно открыть люк.

### Режим ожидания

Настоящая стиральная машина отвечает требованиям новых нормативов по экономии электроэнергии, укомплектована системой автоматического отключения (режим сохранения энергии), включающейся через 30 минут простоя машины. Нажмите один раз кнопку **ON/OFF** и подождите, пока машина вновь включится.



## Дисплей



Дисплей служит для программирования машины и предоставляет пользователю множество сведений.

В секторе **A** показывается продолжительность различных имеющихся программ и, после запуска цикла, время, остающееся до завершения программы. Если был задан ТАЙМЕР ОТСРОЧКИ, на дисплее показывается время, остающееся до запуска выбранной программы.

Кроме того при нажатии соответствующей кнопки на дисплее показываются максимальные значения скорости отжима и температуры, которые машина может достичь в зависимости от заданной программы, или последние заданные значения, если они совместимы с выбранной программой.

В процессе обработки данных машиной в зависимости от программы и от выбранного уровня мигает символ "песочные часы". Максимум через 10 минут после запуска символ "песочные часы" перестает мигать и горит стабильно, показывая окончательное остаточное время. Символ "песочные часы" погаснет примерно через 1 минуту после визуализации окончательного остаточного времени.

В секторе **B** показываются фазы стирки выбранной программы стирки и, после запуска программы, текущую фазу программы:

- Стирка
- Полоскание
- Отжим
- Слив

В секторе **C** показываются слева направо символы "температура", "отжим" и "таймер отсрочки".


Полоски "температуры" показывают максимальный температурный уровень, который может быть задан для выбранной программы.





Полоски "отжима" показывают максимальную скорость отжима, которая может быть задана для выбранной программы.



Включенный символ "ТАЙМЕР ОТСРОЧКИ" означает, что на дисплее показано заданное значение "таймер отсрочки".

# Порядок выполнения цикла стирки

CIS

- 1. ПОРЯДОК ВКЛЮЧЕНИЯ МАШИНЫ.** Нажмите кнопку ; индикатор START/PAUSE редко мигает синим цветом.
- 2. ЗАГРУЗКА БЕЛЬЯ.** Откройте люк машины. Загрузите в барабан белье, не превышая максимальный допустимый вес, указанный в таблице программ на следующей странице.
- 3. ДОЗИРОВКА СТИРАЛЬНОГО ВЕЩЕСТВА** Выньте дозатор и поместите стиральное вещество в специальные ячейки, как описано в разделе “Стиральные вещества и типы белья”.
- 4. ЗАКРОЙТЕ ЛЮК.**
- 5. ВЫБОР ПРОГРАММЫ.** При помощи рукоятки выбора ПРОГРАММ выберите нужную программу; в данной программе задана температура и скорость отжима, которые можно изменить. На дисплее показывается продолжительность данного цикла.
- 6. ПЕРСОНАЛИЗИРОВАННЫЕ ЦИКЛЫ СТИРКИ.** Нажмите соответствующие кнопки:


  **Измените температуру и/или скорость отжима.** Машина автоматически показывает на дисплее максимальные температуру и скорость отжима, предусмотренные для выбранной программы, или последние выбранные значения, если они совместимы с выбранной программой. При помощи кнопки  можно постепенно уменьшить температуру вплоть до стирки в холодной воде “OFF”. При помощи кнопки  можно постепенно уменьшить скорость отжима вплоть до его исключения “OFF”. При еще одном нажатии этих кнопок вернутся максимальные допустимые значения.

 **Программирование таймера отсрочки**  
Для программирования пуска выбранной программы с задержкой нажмите соответствующую кнопку вплоть до получения нужного времени задержки. Когда данная дополнительная функция активирована, на дисплее загорается символ . Для отмены запуска с задержкой нажмите кнопку несколько раз до тех пор, пока на дисплее не появится “OFF”.

   **Измените параметры цикла.**

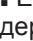
- Нажмите кнопку для активации дополнительной функции; индикатор соответствующей кнопки загорится.
- Вновь нажмите кнопку для отключения дополнительной функции, индикатор погаснет.

! Если выбранная дополнительная функция является несовместимой с заданной программой, индикатор будет мигать, и такая функция не будет активирована.

! Если выбранная дополнительная функция несовместима с ранее активированной функцией, индикатор соответствующий первой активированной функции загорится, и будет активирована только вторая функция, индикатор активированной функции загорится.  
**Примечание:** если активирована дополнительная функция , никакая другая дополнительная функция не может быть активирована.

! Дополнительные функции могут изменить рекомендуемую загрузку машины и/или продолжительность цикла.

- 7. ЗАПУСК ПРОГРАММЫ** Нажмите кнопку START/PAUSE. Соответствующий индикатор загорится синим светом, и люк заблокируется (символ ЛЮК ЗАБЛОКИРОВАН  загорится). Для изменения программы в процессе выполнения цикла переключите машину в режим паузы при помощи кнопки START/PAUSE (индикатор START/PAUSE редко мигает оранжевым цветом). Затем выберите новый цикл и вновь нажмите кнопку START/PAUSE. Если требуется открыть люк после пуска цикла, нажмите кнопку START/PAUSE. Когда погаснет индикатор ЛЮК ЗАБЛОКИРОВАН , можно открыть люк (ожидайте приблиз. 3 минуты). Вновь нажмите кнопку START/PAUSE для возобновления программы с момента, в который она была прервана.
- 8. ЗАВЕРШЕНИЕ ПРОГРАММЫ.** Показывается сообщением “на дисплее “END”. После того, как погаснет символ ЛЮК ЗАБЛОКИРОВАН , можно будет открыть люк (ожидайте приблиз. 3 минуты). Откройте люк, выгрузите белье и выключите машину.

! Если требуется отменить текущий цикл стирки, держите нажатой кнопку  несколько секунд. Цикл прервется, и машина выключится.

# Программы и дополнительные функции

Таблица программ

Программы	Описание программы	Макс. темп. (°C)	Макс. скорость (оборотов в минуту)	Стиральные вещества и добавки				Макс. загрузка (кг)	Продолжительность цикла	
				Предварительная мойка	Стирка	Отбеливатель	Ополаскиватель			
<b>Ежедневные</b>										
1	Хлопок: с замачиванием	90°	1000	●	●	-	●	6	Продолжительность программ стирки можно проверить по дисплею.	
2	Хлопок: интенсивная	90°	1000	-	●	●	●	6		
2	Хлопок: интенсивная (1)	60°	1000	-	●	●	●	6		
2	Хлопок: интенсивная (2)	40°	1000	-	●	●	●	6		
3	Хлопок 60°: Очень грязное белое и прочное цветное белье.	60°	1000	-	●	●	●	6		
4	Хлопок: бережная (3)	40°	1000	-	●	●	●	6		
5	Синтетика: интенсивная	60°	800	-	●	●	●	2,5		
6	Синтетика: бережная	40°	800	-	●	●	●	2,5		
7	Джинсы	40°	800	-	●	-	●	2,5		
8	Рубашки	40°	600	-	●	●	●	2		
9	Быстрая 30°: Для быстрого освежения малогазяного белья (не для шерсти, шелка и изделия ручной стирки).	холодная вода	800	-	●	-	●	3		
<b>Специальные</b>										
10	Шерсть: шерсть, кашемир и т.д.	40°	600	-	●	-	●	1		
11	Шелк: изделия из шелка, вискозы и нижнее белье.	30°	0	-	●	-	●	1		
12	Спортивная обувь	30°	600	-	●	-	●	(макс. 2 пары.)		
13	Верхняя одежда	30°	400	-	●	-	-	1,5		
<b>Дополнительные</b>										
	Полоскание	-	1000	-	-	●	●	6		
	Отжим	-	1000	-	-	-	-	6		
	Слив без отжима	-	0	-	-	-	-	6		

Продолжительность цикла, показанная на дисплее или указанная в инструкциях является расчетом, сделанным на основании стандартных условий. Фактическая продолжительность может варьировать в зависимости от многочисленных факторов таких как температура и давление воды на подаче, температура помещения, количество моющего средства, количество и тип загруженного белья, балансировка белья, выбранные дополнительные функции.

Для всех институтов тестирования:

- 1) Программы управления в соответствии с Директивой EN 60456: задайте программу 2 с температурой 60°C.
- 2) Длинная программа для х/б белья: задайте программу 2 с температурой 40°C.
- 3) Короткая программа для х/б белья: задайте программу 4 с температурой 40°C.

## Дополнительные функции стирки

Технология «PRIME» оптимизирует потребление энергии, воды и затраты времени в зависимости от типа белья. Опцию можно выбрать нажатием кнопки

- **Water (Экономия Вода):** позволяет уменьшить потребление воды, обеспечивая безупречный результат (рекомендуется для белья с высокой степенью загрязнения).

- **Energy (Экономия Электроэнергия):** автоматическая опция технологии «PRIME» снижает энергопотребление (рекомендуется для белья с нормальной степенью загрязнения).

- **Time (Экономия Время):** обеспечивает сокращение времени стирки (рекомендуется для белья с низкой степенью загрязнения).

! Эта функция может быть активирована только для программ 1, 2, 3, 4, 5, 6 (для всех трех уровней) и 7, 8, 9 (уровни - Energy и - Time).

### Дополнительное полоскание

При выборе этой функции повышается эффективность ополаскивания, обеспечивая максимальное удаление стирального вещества. Эта функция особенно удобна для людей с кожей, чувствительной к стиральным веществам.

! Не может быть активирована в программах 9, ,

### Легкая глажка

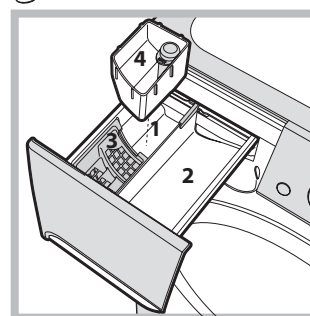
При выборе этой функции циклы стирки и отжима изменяются таким образом, чтобы сократить сминаемость белья. По завершении цикла машина производит медленное вращение барабана. Индикатор функции **Легкая глажка** и индикатор

START/PAUSE мигают (первый синим, второй оранжевым цветом).

Для завершения цикла нажмите кнопку START/PAUSE или кнопку **Легкая глажка**. При выборе программы 11-13 машина завершает цикл без слива воды, и индикатор функции **Легкая глажка** и индикатор START/PAUSE мигают. Для слива воды и выгрузки белья необходимо нажать кнопку START/PAUSE или кнопку **Легкая глажка**.

! Не может быть активирована в программах 9, 10, 12, , .

### Функция пятновыведения



Эта функция служит для удаления наиболее трудных пятен. Вставьте дополнительный прилагающийся дозатор 4 в дозатор 1. При заливке отбеливателя не превышайте «макс.» уровень, указанный на стержне в центре (см. схему). Для выполнения только отбеливания залейте отбеливатель в дополнительный дозатор

4, выберите программу «Полоскание» и включите дополнительную функцию «Пятновыведение» . Для отбеливания в процессе стирки поместите стиральное вещество и добавки, выберите нужную программу и активируйте дополнительную функцию «Пятновыведение» . Если используется дополнительный дозатор 4, функция предварительная стирка исключается.

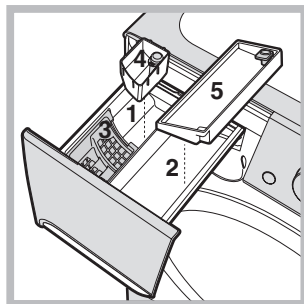
! Не может быть активирована в программах 1, 7, 9, 10, 11, 12, 13, , .

# Стиральные вещества и типы белья

CIS

## Ячейка для стирального вещества

Хороший результат стирки зависит также от правильной дозировки стирального вещества: избыток стирального вещества не гарантирует более эффективную стирку, напротив, способствует образованию налетов внутри стиральной машины и загрязнению окружающей среды.



! Не используйте стиральные вещества для ручной стирки, так как они образуют слишком много пены.

Выньте ячейку и поместите в нее стиральное вещество или добавку в следующем порядке.

### Ячейка 1: Стиральное вещество для предварительной стирки (порошок)

Перед засыпкой стирального порошка необходимо проверить, чтобы не был установлен дополнительный дозатор 4.

### Ячейка 2: Стиральное вещество для стирки (порошок или жидкий)

Жидкое средство для стирки заливается непосредственно перед запуском машины.

### Ячейка 3: Добавки (ополаскиватель и т.д.)

Не наливайте ополаскиватель выше решетки дозатора.

### дополнительный дозатор 4: Отбеливатель

дополнительный дозатор 5: рекомендуется использовать этот дозатор для жидкого стирального вещества.

## Подготовка белья

- Разделите белье по следующим признакам:
  - тип ткани / обозначения на этикетке
  - цвету: отделите цветное белье от белого.
- Выньте из карманов все предметы и проверьте пуговицы.
- Не превышайте максимальную загрузку барабана, указанную для сухого белья:
  - Прочные ткани: макс. 6 кг
  - Синтетические ткани: макс. 2,5 кг
  - Деликатные ткани: макс. 2 кг
  - Шерсть: макс. 1 кг
  - Шелк: макс. 1 кг

### Сколько весит белье?

- 1 простыня 400-500 гр.
- 1 наволочка 150-200 гр.
- 1 скатерть 400-500 гр.
- 1 халат 900-1200 гр.
- 1 полотенце 150-250 гр.

## Специальные программы

**Джинсы:** выверните наизнанку изделия перед стиркой и используйте жидкое моющее средство. Используйте программу 7.

**Рубашки:** используйте специальную программу 8 для стирки рубашек из разных тканей и разных расцветок. Это обеспечит максимальную сохранность вещей и сократит их сминаемость.

**MixCool 30':** эта программа предназначена для быстрой стирки малозагрязненных вещей: цикл длится всего 30 минут, что позволяет сэкономить время и электроэнергию. По этой программе 9 можно стирать в холодной воде белье из разных тканей (за исключением шерсти и шелка) с максимальной загрузкой барабана 3 кг.

**Шерсть:** программа 10 позволяет стирать в стиральной машине любые шерстяные вещи, даже те, на этикетках которых указан символ "ручная стирка" . Для получения оптимального результата используйте специальный стиральный порошок и не превышать вес загрузки 1 кг.

**Шелк:** используйте специальную программу 11 для стирки всех шелковых вещей. Рекомендуется использовать специальное стиральное вещество для деликатных тканей.

**Занавески:** сверните занавески и положите их в наволочку или в сетчатый мешочек. Используйте программу 11.

**Спортивная обувь** (программа 12): разработана для стирки спортивной обуви; для достижения лучших результатов не рекомендуем стирать более 2 пар обуви за один раз.

**Верхняя одежда** (программа 13) разработана для стирки водоотталкивающих тканей и ветровок (напр., Gore-Tex, полиэстер, нейлон); для достижения лучших результатов используйте жидкие моющие средства в соответствующей дозировке для полузагрузки; обработайте предварительно манжеты, воротники и участки с пятнами; не используйте смягчитель или моющие средства со смягчителем. *Эта программа не предназначена для стирки пуховиков.*

## Система балансировки белья

Перед каждым отжимом во избежание чрезмерных вибраций и для равномерного распределения белья в барабане машина производит вращения со скоростью, слегка превышающей скорость стирки. Если после нескольких попыток белье не будет правильно сбалансировано, машина произведет отжим на меньшей скорости по сравнению с предусмотренной. В случае чрезмерной разбалансировки машина выполнит распределение белья вместо отжима. Для оптимизации распределения белья и его правильной балансировки рекомендуется перемешать мелкое белье с крупным.

! Стиральная машина спроектирована и изготовлена в соответствии с международными нормативами по безопасности. Необходимо внимательно прочитать настоящие предупреждения, составленные в целях вашей безопасности.

## Общие требования безопасности

- После использования машины **обязательно** отключайте ее от сети переменного тока и закрывайте водопроводный кран.
- Данное изделие предназначено исключительно для домашнего использования.
- Не разрешайте пользоваться машиной лицам (включая детей) с ограниченными физическими, сенсорными, умственными способностями и не обладающих достаточными знаниями и опытом, если только они не пользуются машиной под наблюдением и после инструктажа со стороны лиц, ответственных за их безопасность. Не разрешайте детям играть с машиной.
- Стиральной машиной должны пользоваться только взрослые лица, соблюдающие инструкции, приведенные в данном техническом руководстве.
- Не прикасайтесь к изделию влажными руками, босиком или с мокрыми ногами.
- Не тяните за сетевой кабель для отсоединения штепсельной вилки изделия из сетевой розетки, возьмитесь за вилку рукой.
- Не открывайте ячейку для стирального порошка при работающей машине.
- Проявлять осторожность при сливе воды, так как она может быть очень горячей.
- Категорически запрещается пытаться открыть люк силой: это может привести к повреждению защитного механизма, предохраняющего от случайного открывания машины.
- В случае неисправности категорически запрещается открывать внутренние механизмы изделия с целью их самостоятельного ремонта.
- Следите, чтобы дети не приближались к работающей стиральной машине.
- В процессе стирки люк стиральной машины может нагреться.
- При необходимости переместить стиральную машину следует выполнять эту операцию вдвоем или втроем с предельной осторожностью. Никогда не перемещайте машину в одиночку, так как машина очень тяжелая.
- Перед помещением в стиральную машину белья проверьте, чтобы барабан был пуст.

## Утилизация

- Уничтожение упаковочных материалов: соблюдайте местные нормативы с целью вторичного использования упаковочных материалов.

- Согласно Европейской Директиве 2002/96/CE касательно утилизации электронных и электрических электроприборов электроприборы не должны выбрасываться вместе с обычным городским мусором. Выведенные из строя приборы должны собираться отдельно для оптимизации их утилизации и рекуперации составляющих их материалов, а также для безопасности окружающей среды и здоровья. Символ «зачеркнутая мусорная корзина», имеющийся на всех приборах, служит напоминанием об их отдельной утилизации. За более подробной информацией о правильной утилизации бытовых электроприборов пользователи могут обратиться в специальный центр по сбору вторсырья или в магазин.

# Техническое обслуживание и уход

CIS

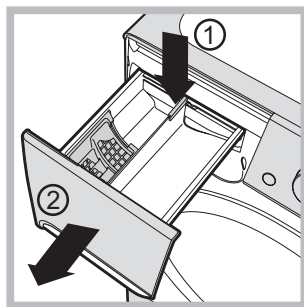
## Отключение воды и электрического тока

- Перекрывайте водопроводный кран после каждой стирки. Таким образом сокращается износ водопроводной системы машины и сокращается риск утечек.
- Выньте штепсельную вилку из электро розетки в процессе чистки и технического обслуживания стиральной машины.

## Уход за стиральной машиной

Для чистки наружных и резиновых частей стиральной машины используйте тряпку, смоченную теплой водой с мылом. Не используйте растворители или абразивные чистящие средства.

## Уход за распределителем моющих средств



Чтобы вынуть дозатор, нажмите на язычок (1) и вытащите дозатор (2) (см. рисунок). Промойте ячейку под струей воды. Эта операция должна выполняться регулярно.

## Уход за люком и барабаном

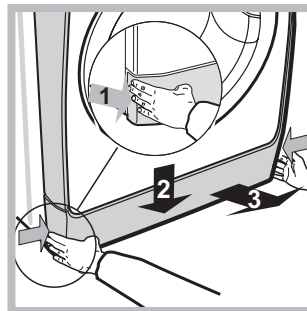
- После использования стиральной машины всегда следует оставлять люк полуоткрытым во избежание образования неприятных запахов в барабане.

## Уход за насосом

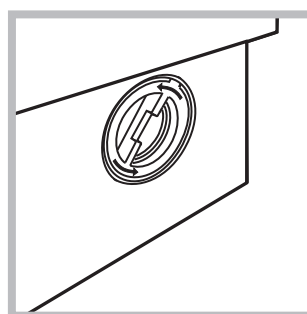
Стиральная машина оснащена самоочищающимся насосом, не нуждающимся в техническом обслуживании. Тем не менее мелкие предметы (монеты, пуговицы) могут упасть за кожух, предохраняющий насос, расположенный в его нижней части.

**!** Проверьте, чтобы цикл стирки завершился, и выньте штепсельную вилку из сетевой розетки.

Для доступа к кожуху:



1. снимите переднюю панель стиральной машины, нажав в центре, затем потяните ее вниз за края и снимите ее (см. схему).



2. отвинтите крышку, повернув ее против часовой стрелки (см. схему): небольшая утечка воды является нормальным явлением;

3. тщательно прочистите внутри кожуха;
4. завинтите крышку на место;
5. установите на место переднюю панель, проверив перед ее прикреплением к машине, чтобы крюки вошли в соответствующие петли.

## Проверка водопроводного шланга

Проверяйте шланг подачи воды не реже одного раза в год. При обнаружении трещин или разрывов шланга замените его: в процессе стирки сильное давление воды в водопроводе может привести к внезапному отсоединению шланга.

**!** Никогда не пользуйтесь б/у шлангами.

# Неисправности и методы их устранения

Если ваша стиральная машина не работает. Прежде чем обратиться в Центр Сервисного обслуживания (см. *Сервисное обслуживание*), проверьте, можно ли устранить неисправность, следуя рекомендациям, приведенным в следующем перечне.

## Неисправности:

**Стиральная машина не включается.**

**Цикл стирки не запускается.**

**Стиральная машина не заливает воду (На дисплее мигает надпись "H2O").**

**Машина непрерывно заливает и сливает воду.**

**Стиральная машина не сливает воду и не отжимает белье**

**Стиральная машина сильно вибрирует в процессе отжима.**

**Утечки воды из стиральной машины.**

**Индикаторы дополнительных функций и индикатор «START/PAUSE» часто мигают, на дисплее показывается код anomalies (например: F-01, F-...).**

**В процессе стирки образуется слишком обильная пена.**

## Возможные причины / Методы устранения:

- Штепсельная вилка не вставлена в сетевую розетку или отходит и не обеспечивает контакта.
- В доме отключено электричество.

- Люк машины закрыт неплотно.
- Не была нажата кнопка ON/OFF
- Не была нажата кнопка START/PAUSE.
- Перекрыт водопроводный кран.
- Был запрограммирован запуск с задержкой (ТАЙМЕР ОТСРОЧКИ, см. параграф "Порядок выполнения цикла стирки").

- Водопроводный шланг не подсоединен к крану.
- Шланг согнут.
- Перекрыт водопроводный кран.
- В доме нет воды.
- Недостаточное водопроводное давление.
- Не была нажата кнопка START/PAUSE.

- Сливной шланг не находится на высоте 65 – 100 см. от пола (см. "Установка").
- Конец сливного шланга погружен в воду (см. "Установка").
- Настенное сливное отверстие не оснащено вантузом для выпуска воздуха.

Если после вышеперечисленных проверок неисправность не будет устранена, следует перекрыть водопроводный кран, выключить стиральную машину и обратиться в Центр Сервисного Обслуживания. Если ваша квартира находится на последних этажах здания, могут наблюдаться явления сифона, поэтому стиральная машина производит непрерывный залив и слив воды. Для устранения этой аномалии в продаже имеются специальные клапаны против явления сифона.

- Выбранная программа не предусматривает слив воды: для некоторых программ необходимо включить слив вручную.
- Включена дополнительная функция ЛЕГКАЯ ГЛАЖКА: для завершения программы нажмите кнопку START/PAUSE ("Программы и дополнительные функции").
- Сливной шланг согнут (см. "Установка").
- Засорен сливной трубопровод.

- В момент установки стиральной машины барабан был разблокирован неправильно (см. "Установка").
- Стиральная машина установлена неровно (см. "Установка").
- Машина зажата между стены и мебелью (см. "Установка").

- Плохо прикручен водопроводный шланг (см. "Установка").
- Засорен дозатор стирального вещества (порядок его чистки см. в параграфе "Техническое обслуживание и уход").
- Сливной шланг плохо закреплен (см. "Установка").

- Выключите машину и выньте штепсельную вилку из сетевой розетки, подождите 1 минуту и вновь включите машину. Если неисправность не устраняется, обратитесь в Центр Сервисного Обслуживания.

- Стиральное вещество непригодно для стирки в стиральной машине (на упаковке должно быть указано "для стирки в стиральной машине", "для ручной и машинной стирки" или подобное).
- В дозатор было помещено чрезмерное количество стирального вещества.

# Сервисное обслуживание

---

CIS

## Перед тем как обратиться в Сервисное Обслуживание:

- Проверьте, нельзя ли устранить неисправность самостоятельно (см. *“Неисправности и методы их устранения”*);
- Вновь запустите программу для проверки исправности машины;
- В случае неудачи обратитесь в Центр Сервисного обслуживания.

! Никогда не обращайтесь к неуполномоченным техникам.

## При обращении в Центр Сервисного Обслуживания необходимо сообщить:

- тип неисправности;
- модель изделия (Мод.);
- серийный номер (“S/N”).

Все эти данные указаны на паспортной табличке, расположенной на задней панели и спереди люка стиральной машины.

**Производитель:** Indesit Company  
Виале А. Мерлони 47, 60044, Фабриано (АН), Италия

**Импортер:** ООО “Индезит РУС”

**С вопросами (в России) обращаться по адресу:** до 01.01.2011: Россия, 129223, Москва, Проспект Мира, ВВЦ, пав. 46  
с 01.01.2011: Россия, 127018, Москва, ул. Двинцев, дом 12, корп. 1



PL

Polski

PWSE 61070 S

## Spis treści

### Instalacja, 26-27

Rozpakowanie i wypoziomowanie  
Podłączenia hydrauliczne i elektryczne  
Pierwszy cykl prania  
Dane techniczne

### Opis pralki, 28-29

Panel sterowania  
Wyświetlacz

### Jak wykonać cykl prania, 30

### Programy i opcje, 31

Tabela programów  
Opcje prania

### Środki piorące i bielizna, 32

Szufladka na środki piorące  
Przygotowanie bielizny  
Programy specjalne

### Zalecenia i środki ostrożności, 33

Ogólne zasady bezpieczeństwa  
Utylizacja

### Utrzymanie i konserwacja, 34

Odłączenie wody i prądu elektrycznego  
Czyszczenie pralki  
Czyszczenie szufladki na środki piorące  
Konserwacja okrągłych drzwiczek i bębna  
Czyszczenie pompy  
Kontrola przewodu doprowadzającego wodę

### Nieprawidłowości w działaniu i sposoby ich usuwania, 35

### Serwis Techniczny, 36

PL

# Instalacja

PL

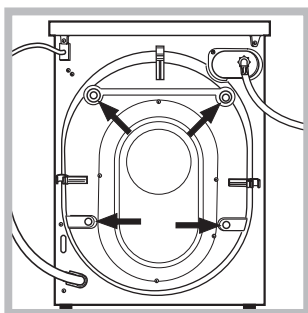
! Należy zachować niniejszą książeczkę, aby móc z niej skorzystać w każdej chwili. W przypadku sprzedaży, odstąpienia lub przeniesienia pralki w inne miejsce należy zadbać o przekazanie instrukcji wraz z nią, aby nowy właściciel mógł się zapoznać z działaniem urządzenia i z dotyczącymi go ostrzeżeniami.

! Należy uważnie przeczytać instrukcję obsługi: zawiera ona ważne informacje dotyczące instalacji oraz właściwego i bezpiecznego użytkowania pralki.

## Rozpakowanie i wypoziomowanie

### Rozpakowanie

1. Rozpakować pralkę.
2. Sprawdzić, czy nie doznała ona uszkodzeń w czasie transportu. W przypadku stwierdzenia uszkodzeń, nie podłączać pralki i skontaktować się ze sprzedawcą.



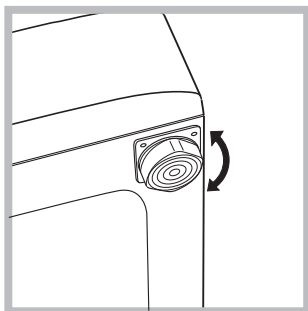
3. Odkręcić 4 śruby zabezpieczające urządzenie na czas transportu oraz zdjąć gumowy element z podkładką, znajdujący się w tylnej części pralki (patrz rysunek).

4. Zatkać otwory przy pomocy plastikowych zaślepek, znajdujących się w wyposażeniu urządzenia.
5. Zachować wszystkie części: w razie konieczności przewiezienia pralki w inne miejsce, powinny one zostać ponownie zamontowane.

! Części opakowania nie są zabawkami dla dzieci.

### Poziomowanie

1. Ustawić pralkę na płaskiej i twardej podłodze, nie opierając jej o ściany, meble itp.

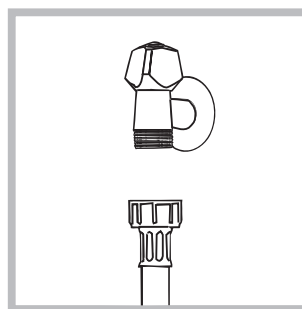


2. Jeśli podłoga nie jest idealnie pozioma, należy skompensować nierówności, odkręcając lub dokręcając przednie nóżki (patrz rysunek); kąt nachylenia, zmierzony na górnym blacie pralki, nie powinien przekraczać 2°.

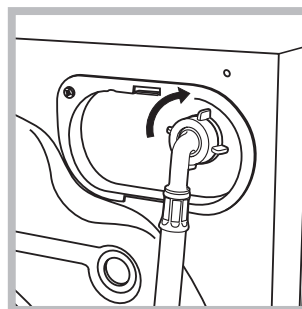
Staranne wypoziomowanie pralki zapewnia jej stabilność i zapobiega wibracjom, hałasowi oraz przesuwaniu się urządzenia w czasie pracy. W przypadku ustawienia na dywanie lub wykładzinie dywanowej, należy tak wyregulować nóżki, aby pod pralką pozostawała wolna przestrzeń niezbędna dla wentylacji.

## Podłączenia hydrauliczne i elektryczne

### Podłączenie przewodu doprowadzającego wodę



1. Podłączyć przewód zasilający poprzez przykręcenie go do zaworu zimnej wody z końcówką gwintowaną (patrz rysunek): Przed podłączeniem spuszczać wodę do momentu, aż stanie się ona całkowicie przezroczysta.



2. Podłączyć do urządzenia przewód doprowadzający wodę, przykręcając go do odpowiedniego przyłącza wody, znajdującego się w tylnej części pralki, z prawej strony u góry (patrz rysunek).

3. Zwrócić uwagę, aby przewód nie był pozaginany ani przygnieciony.

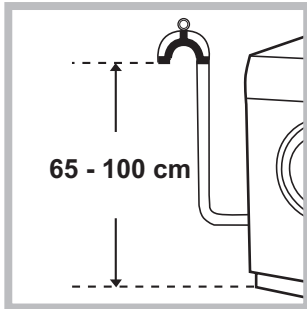
! Ciśnienie wody w kurku powinno mieścić się w przedziale podanym w tabeli Danych technicznych (patrz strona obok).

! Jeśli długość przewodu doprowadzającego wodę jest niewystarczająca, należy zwrócić się do specjalistycznego sklepu lub do autoryzowanego technika.

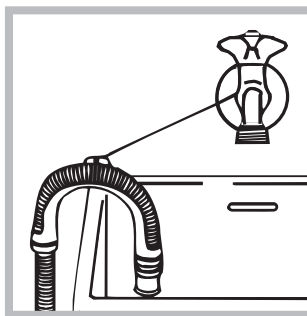
! Nigdy nie instalować przewodów, które były już używane.

! Stosować przewody znajdujące się w wyposażeniu urządzenia.

## Podłączenie przewodu odpływowego



Podłączyć przewód odpływowy, nie zginając go, do rury ściekowej lub do otworu odpływowego w ścianie, które powinny się znajdować na wysokości od 65 do 100 cm od podłogi;



albo oprzeć go na brzegu zlewu lub wanny, przymocowując do kranu prowadnik, znajdujący się w wyposażeniu pralki (patrz rysunek). Wolny koniec przewodu odpływowego nie powinien być zanurzony w wodzie.

! Odradza się używanie rur przedłużających; jednak jeśli jest to konieczne, przedłużacz powinien mieć taki sam przekrój, jak oryginalna rura, a jego długość nie powinna przekraczać 150 cm.

## Podłączenie elektryczne

Przed włożeniem wtyczki do gniazdka elektrycznego należy się upewnić, czy:

- gniazdko posiada uziemienie i jest zgodne z obowiązującymi przepisami;
- gniazdko jest w stanie wytrzymać maksymalne obciążenie mocy urządzenia, wskazane w tabeli Danych technicznych (patrz obok);
- napięcie zasilania mieści się w wartościach wskazanych w tabeli Danych technicznych (patrz obok);
- gniazdko pasuje do wtyczki pralki. W przeciwnym razie należy wymienić gniazdko lub wtyczkę.

! Nie należy instalować pralki na otwartym powietrzu, nawet w osłoniętym miejscu, gdyż wystawienie urządzenia na działanie deszczu i burz jest bardzo niebezpieczne.

! Po zainstalowaniu pralki gniazdko elektryczne powinno być łatwo dostępne.

! Nie używać przedłużaczy ani rozgałęźników.

! Kabel nie powinien być pozginany ani przygnieciony.

! Przewód zasilania elektrycznego może być wymieniany wyłącznie przez autoryzowanych techników.

Uwaga! Producent nie ponosi żadnej odpowiedzialności, jeśli powyższe zasady nie będą przestrzegane.

## Pierwszy cykl prania

Po zainstalowaniu pralki, przed przystąpieniem do jej użytkowania, należy wykonać jeden cykl prania ze środkiem piorącym, ale bez wsadu, nastawiając program 2.

### Dane techniczne

<b>Model</b>	PWSE 61070 S
<b>Wymiary</b>	szerokość cm 59,5 wysokość cm 85 głębokość cm 44,5
<b>Pojemność</b>	od 1 do 6 kg
<b>Dane prądu elektrycznego</b>	dane techniczne umieszczone są na tabliczce na maszynie
<b>Dane sieci wodociągowej</b>	Maksymalne ciśnienie 1 MPa (10 barów) ciśnienie minimalne 0,05 MPa (0,5 barów) pojemność bębna 40 litrów
<b>Szybkość wirowania</b>	do 1000 obrotów na minutę
<b>Programy testowe zgodnie z dyrektywą 2010/1061</b>	Program 2; Temperatura 60°C i 40°C.
<b>Programy testowe zgodnie z dyrektywą EN 60456</b>	Program 2; temperatura 60°C; wykonane przy 6 kg załadowanej bielizny.
<div style="display: flex; justify-content: space-around;"> <span>(CH)</span> <span>(RU)</span> <span>(TR)</span> </div>	



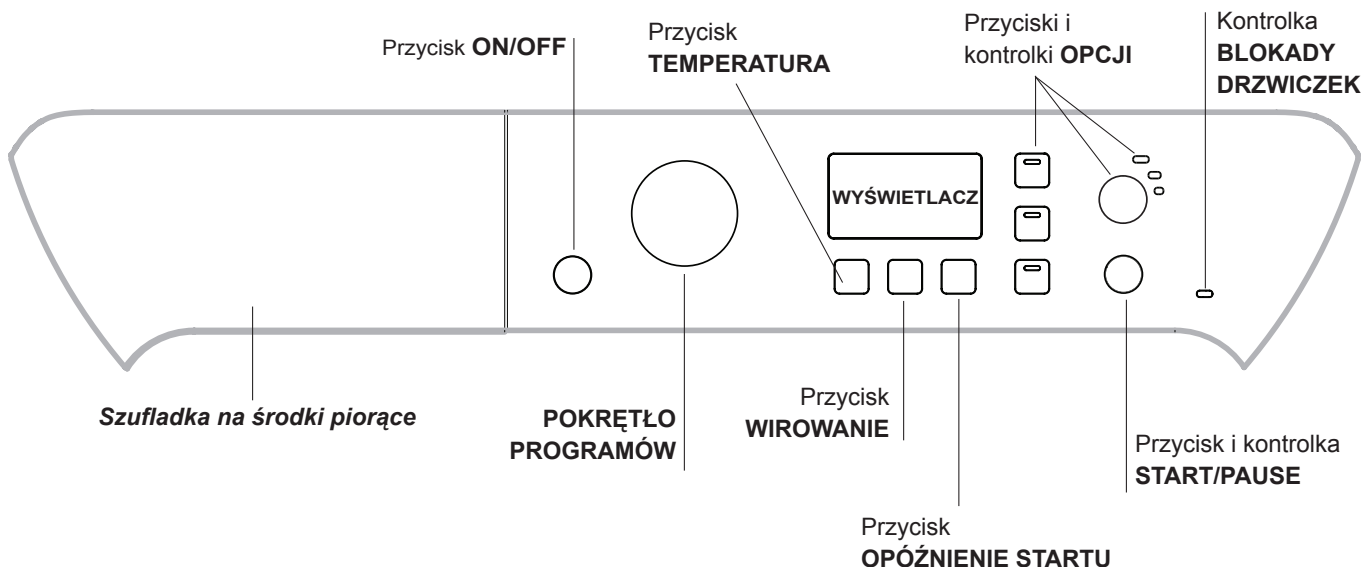
Urządzenie to zostało wyprodukowane zgodnie z następującymi przepisami CE:

- 2004/108/CE (o Kompatybilności Elektromagnetycznej)
- 2002/96/CE
- 2006/95/CE (o Niskim Napięciu)




# Opis pralki

## Panel sterowania




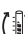
**Szufladka na środki piorące:** do dozowania środków piorących i dodatków (patrz “Środki piorące i bielizna”).


Przycisk **ON/OFF** : nacisnąć krótko przycisk w celu włączenia lub wyłączenia urządzenia. Kontrolka **START/PAUSE**, która pulsuje powoli w kolorze niebieskim, wskazuje, że urządzenie jest włączone. W celu wyłączenia pralki podczas prania konieczne jest dłuższe przytrzymanie naciśniętego przycisku, przez około 3 sek.; jego krótkie lub przypadkowe naciśnięcie nie spowoduje wyłączenia urządzenia. Wyłączenie urządzenia w trakcie cyklu prania anuluje program prania.



**POKRĘTŁO PROGRAMÓW:** w celu ustawieniażądanego programu (patrz “Tabela programów”).



Przyciski i kontrolki **OPCJI**: służą do wybierania dostępnych funkcji. Kontrolka wybranej opcji pozostanie włączona.

Przycisk **WIROWANIE** : naciskać w celu zmniejszenia liczby obrotów lub całkowitego wyłączenia wirówki; ustawiona wartość zostanie wskazana na wyświetlaczu.

Przycisk **TEMPERATURA** : naciskać w celu zmniejszenia lub całkowitego wyłączenia temperatury; ustawiona wartość zostanie wskazana na wyświetlaczu.

Przycisk **OPÓŹNIENIE STARTU** : naciskać w celu ustawienia opóźnionego startu wybranego programu; opóźnienie zostanie wskazane na wyświetlaczu.

Przycisk i kontrolka **START/PAUSE** : kiedy niebieska kontrolka powoli pulsuje, nacisnąć przycisk w celu uruchomienia programu prania. Po uruchomieniu cyklu kontrolka świeci w sposób ciągły. W celu ustawienia pauzy w praniu należy ponownie nacisnąć przycisk, kontrolka zacznie pulsować bursztynowym światłem. Jeśli symbol  nie świeci się, można otworzyć drzwiczki (odczekać około 3 minuty). W celu ponownego uruchomienia prania od momentu, w którym zostało ono przerwane, należy ponownie nacisnąć przycisk.

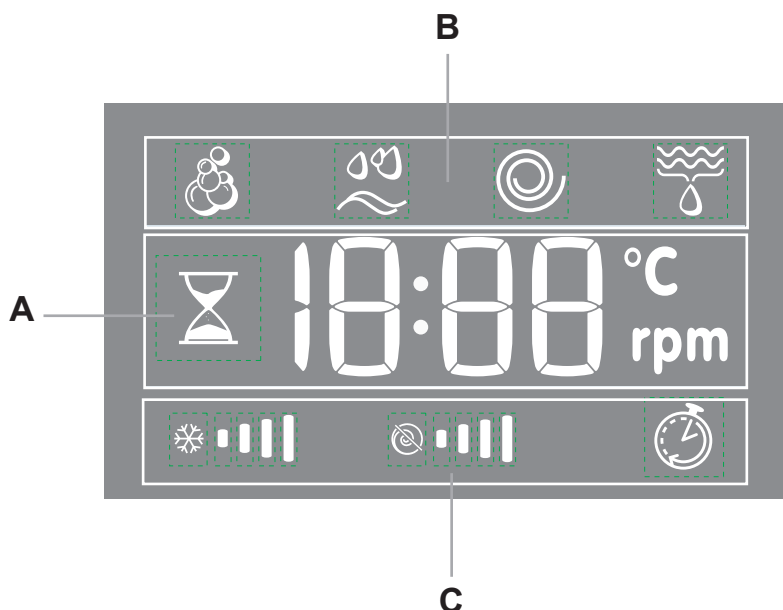
Kontrolka **BLOKADY DRZWICZEK** : Jeśli symbol się świeci, oznacza to, że drzwiczki są zablokowane. Aby uniknąć uszkodzenia pralki, przed przystąpieniem do otwierania drzwiczek należy odczekać, aż symbol ten zgaśnie (odczekać około 3 minuty). Aby otworzyć drzwiczki w trakcie trwania cyklu, należy nacisnąć przycisk **START/PAUSE**; kiedy symbol **BLOKADY DRZWICZEK**  zgaśnie, można otworzyć drzwiczki.

### Funkcja stand by

Pralka ta, w myśl nowych norm europejskich związanych z oszczędnością elektryczną, posiada system auto wyłączenia (stand by), który włącza się po 30 minutach nie użytkowania. Ponownie lekko wcisnąć przycisk **ON-OFF** i poczekać, aż pralka ponownie włączy się.

## Wyświetlacz


PL







Wyświetlacz pomaga zaprogramować urządzenie i dostarcza wielu informacji.

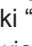
W sekcji **A** wyświetla się czas trwania dostępnych programów, a po rozpoczęciu cyklu czas, jaki pozostaje do jego zakończenia; natomiast jeśli została ustawiona funkcja OPOŹNIENIE STARTU, wyświetla się czas pozostający do momentu rozpoczęcia wybranego programu.

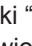
Ponadto, po naciśnięciu odpowiednich przycisków wyświetlają się maksymalne wartości szybkości wirowania i temperatury dla ustawionego programu lub ostatnie zaprogramowane wartości, jeśli są one odpowiednie dla wybranego programu.


Klepsydra pulsuje w fazie, w której urządzenie przetwarza dane na podstawie programu oraz wybranego poziomu . Po maks. 10 minutach po rozpoczęciu programu, ikona "klepsydra" zaczyna świecić stałym światłem i wyświetlony zostaje ostateczny czas pozostający do zakończenia prania. Po upływie około 1 minuty od wyświetlenia ostatecznego czasu pozostającego do zakończenia prania ikona klepsydra wyłącza się.

W sekcji **B** wyświetlane są "fazy prania" przewidziane dla wybranego cyklu, a po rozpoczęciu programu aktualna "faza prania":

-  Pranie
-  Płukanie
-  Wirowanie
-  Odprowadzanie wody


W sekcji **C** są umieszczone, kolejno od lewej do prawej strony, ikony "temperatury", "wirowania" i "Opóźnienie Startu". Kreski "temperatura"  wskazywać poziom temperatury w odniesieniu do maksymalnego poziomu, jaki może być ustawiony dla wybranego cyklu.





Kreski "wirowanie"  wskazują poziom wirowania w odniesieniu do maksymalnego poziomu, jaki może być ustawiony dla wybranego cyklu.



Świeący symbol "Opóźnienie Startu"  wskazuje, że na wyświetlaczu można odczytać ustawioną wartość "Startu z opóźnieniem".

# Jak wykonać cykl prania

PL

- 1. WŁĄCZYĆ URZĄDZENIE.** Nacisnąć przycisk  ; kontrolka START/PAUSE zacznie powoli pulsować niebieskim światłem.
- 2. ZAŁADOWAĆ BIELIZNĘ.** Otworzyć drzwiczki. Włożyć bieliznę, uważając, aby nie przekroczyć wielkości wsadu wskazanej w tabeli programów znajdującej się na następnej stronie.
- 3. WSYPĄĆ ŚRODEK PIORĄCY.** Wysunąć szufladkę i umieścić środek piorący w odpowiednich komorach zgodnie ze wskazówkami zawartymi w rozdziale "Środki piorące i bielizna".
- 4. ZAMKNAĆ DRZWICZKI.**
- 5. WYBRAĆ PROGRAM.** Przy pomocy pokrętła PROGRAMY wybrać żądany program; ma on wstępnie ustawioną temperaturę i prędkość wirowania, jednak wartości te można zmienić. Na wyświetlaczu pojawi się czas trwania cyklu.
- 6. SPERSONALIZOWAĆ CYKL PRANIA.** Naciskać odpowiednie przyciski:

  **Zmienić temperaturę i/lub prędkość wirowania.** Urządzenie automatycznie wyświetla maksymalne wartości temperatury i prędkości wirowania dla ustawionego programu lub ostatnie wybrane wartości, jeśli są one zgodne z ustawionym programem. Naciskając przycisk  stopniowo zmniejsza się temperaturę, aż do prania na zimno "OFF". Naciskając przycisk  stopniowo zmniejsza się prędkość wirowania, aż do jego wyłączenia "OFF". Dodatkowe naciśnięcie przycisków przywróci maksymalne dostępne wartości.


 **Ustawić OPÓŹNIENIE STARTU.** W celu ustawienia opóźnionego rozpoczęcia wybranego programu należy naciskać odpowiedni przycisk aż do osiągnięcia żądanego czasu opóźnienia. Kiedy ta opcja jest aktywna, na wyświetlaczu zaświeca się symbol . Aby anulować opóźnienie startu, należy naciskać przycisk do momentu pojawienia się na wyświetlaczu napisu "OFF".

 **Zmiana charakterystyki cyklu.**



- Naciskać przycisk w celu włączenia opcji; zaświeci się kontrolka odpowiadająca przyciskowi.
- Ponownie nacisnąć przycisk w celu wyłączenia opcji; kontrolka zgaśnie.


! Jeśli wybrana opcja jest niezgodna z ustawionym programem, kontrolka będzie pulsować i opcja nie zostanie włączona.


! Jeśli wybrana opcja nie może być łączona z inną, ustawioną wcześniej, kontrolka pierwszej wybranej opcji będzie migać i włączona zostanie tylko druga opcja, której kontrolka zaświeci się.

**Uwaga:** przy włączonej opcji  niemożliwa jest aktywacja żadnej innej niezgodnej z nią opcji.

! W zależności od opcji może się zmieniać zalecana objętość wsadu i/lub czas trwania cyklu.

- 7. URUCHOMIĆ PROGRAM.** Nacisnąć przycisk START/ PAUSE. Odpowiednia kontrolka zacznie świecić stałym niebieskim światłem, a drzwiczki zostaną zablokowane (włączy się symbol BLOKADY DRZWICZEK ). W celu zmiany programu w czasie trwania cyklu należy ustawić pralkę w trybie pauzy, naciskając przycisk START/ PAUSE (kontrolka START/ PAUSE zacznie powoli pulsować bursztynowym światłem); następnie wybrać żądany cykl i ponownie nacisnąć przycisk START/ PAUSE. W celu otwarcia drzwiczek w trakcie trwania cyklu należy nacisnąć przycisk START/ PAUSE; kiedy symbol BLOKADY DRZWICZEK  zgaśnie, można otworzyć drzwiczki (odczekać około 3 minuty). Nacisnąć ponownie przycisk START/ PAUSE, aby uruchomić program od momentu, w którym został on przerwany.

**KONIEC PROGRAMU.** Wskazywany jest przez napis "END" na wyświetlaczu, kiedy symbol BLOKADY DRZWICZEK  zgaśnie, można otworzyć drzwiczki (odczekać około 3 minuty). Otworzyć drzwiczki, wyjąć bieliznę i wyłączyć urządzenie.

! Aby anulować już rozpoczęty cykl, należy długo przytrzymać wciśnięty przycisk . Cykl zostanie przerwany i urządzenie wyłączy się.

## System równoważenia wsadu

Przed każdym wirowaniem, aby uniknąć nadmiernych drgań oraz jednorodnie rozłożyć wsad, bęben wykonuje obroty z prędkością nieco większą niż podczas prania. Jeśli po kilku próbach wsad nie zostanie prawidłowo zrównoważony, urządzenie wykona wirowanie z prędkością mniejszą od przewidywanej. W przypadku wystąpienia nadmiernego niezrównoważenia wsadu pralka dokona jego rozłożenia zamiast odwirowania. Aby zapewnić lepsze rozłożenie wsadu oraz jego właściwe zrównoważenie zaleca się mieszanie dużych i małych sztuk bielizny.

## Tabela programów

Programy	Opis programu	Temp. maks. (°C)	Prędkość maks. (obroty na minutę)	Środki piorące i dodatki				Wsad maks. (kg)	Czas trwania cyklu	
				Pranie wstępne	Pranie	Wybielacz	Środek zmiękczający			
<b>Programy normalne Smart</b>										
1	<b>Bawełna z praniem wstępnym:</b> tkaniny białe bardzo mocno zabrudzone.	90°	1000	●	●	-	●	6	Możliwa jest kontrola czasu trwania programów prania na wyświetlaczu.	
2	<b>Biała bawełna:</b> tkaniny białe bardzo mocno zabrudzone.	90°	1000	-	●	●	●	6		
2	<b>Biała bawełna (1):</b> tkaniny białe i kolorowe, wytrzymałe, mocno zabrudzone.	60°	1000	-	●	●	●	6		
2	<b>Biała bawełna (1-2):</b> tkaniny białe i kolorowe, delikatne, mocno zabrudzone.	40°	1000	-	●	●	●	6		
3	<b>Bawełna:</b> tkaniny białe i kolorowe, wytrzymałe, mocno zabrudzone.	60°	1000	-	●	●	●	6		
4	<b>Kolorowa bawełna (3):</b> tkaniny białe lekko zabrudzone i delikatne kolorowe.	40°	1000	-	●	●	●	6		
5	<b>Białe syntetyki:</b> tkaniny kolorowe, wytrzymałe, mocno zabrudzone.	60°	800	-	●	●	●	2,5		
6	<b>Delikatne syntetyki:</b> tkaniny kolorowe, wytrzymałe, lekko zabrudzone.	40°	800	-	●	●	●	2,5		
7	<b>Jeans</b>	40°	800	-	●	-	●	2,5		
8	<b>Koszule</b>	40°	600	-	●	●	●	2		
9	<b>Mix 30 min:</b> W celu szybkiego odświeżenia lekko zabrudzonych tkanin (nie wskazany dla wełny, jedwabiu i tkanin przeznaczonych do prania ręcznego).	Zimna woda	800	-	●	-	●	3		
<b>Specjalne</b>										
10	<b>Wełna:</b> do wełny, kaszmiru, itp.	40°	600	-	●	-	●	1		
11	<b>Jedwab:</b> do jedwabiu, wiskozy, bielizny.	30°	0	-	●	-	●	1		
12	<b>Specjalny obuwie</b>	30°	600	-	●	-	●	Maks. 2 pary.		
13	<b>Outdoor</b>	30°	400	-	●	-	-	1,5		
<b>Częściowe</b>										
	<b>Plukanie</b>	-	1000	-	-	●	●	6		
	<b>Wirowanie</b>	-	1000	-	-	-	-	6		
	<b>Odprowadzanie wody</b>	-	0	-	-	-	-	6		

Czas trwania cyklu wskazany na wyświetlaczu lub w instrukcji jest czasem oszacowanym dla standardowych warunków. Rzeczywisty czas trwania cyklu może się zmieniać w zależności od wielu czynników, takich jak temperatura i ciśnienie wody na wlocie, temperatura otoczenia, ilość detergentu, ilość i rodzaj pranej odzieży, wyważenie ładunku, wybrane opcje dodatkowe.

Dla wszystkich Test Institutes:

1) Program sterowania zgodny z normą 2010/1061: wprowadzić program 2 z temperaturą 60°C i 40°C.

2) Program bawełna, długi: ustawić program 2 z temperaturą 40°C.

3) Program bawełna, krótki: ustawić program 4 z temperaturą 40°C.

1) Program sterowania zgodny z normą EN 60456: wprowadzić program 2 z temperaturą 60°C.

## Opcje prania



Dzięki technologii "PRIME" zużycie energii, wody i czasu zależy od rzeczywistej ilości odzieży wprowadzonej do pralki. Dodatkowo, poprzez naciśnięcie przycisku , można wybrać opcję:

- **Water (Woda):** umożliwia zmniejszenie zużycia wody bez potrzeby rezygnowania ze znakomitych rezultatów prania (zalecana przy silnie zabrudzonej odzieży).

- **Energy (Energia):** opcja ustawiona automatycznie przez "PRIME", zmniejsza zużycie energii (zalecana przy normalnie zabrudzonej odzieży).

- **Time (Czas):** skraca czas prania (zalecana przy lekko zabrudzonej odzieży).

! Jest to możliwe tylko dla programów 1, 2, 3, 4, 5, 6 (wszystkie trzy poziomy) oraz 7, 8, 9 (poziomy - **Energy** i - **Time**).

### Extra Plukanie

Wybierając tę opcję zwiększa się skuteczność płukania i zapewnia się maksymalne usunięcie środka piorącego. Opcja ta jest przydatna dla osób o szczególnie wrażliwej skórze.

! Nie jest dostępna w przypadku programów 9, , .

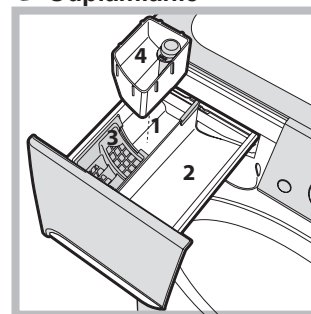
### Łatwe Prasowanie

Po wybraniu tej opcji pranie oraz wirowanie zostaną odpowiednio zmodyfikowane w celu ograniczenia powstawania zagnieceń. Po zakończeniu cyklu pralka wykona powolne obroty bębna; kontrolka opcji ŁATWE PRASOWANIE oraz kontrolka START/PAUSE będą pulsować (pierwsza niebieskim, a druga bursztynowym światłem). W celu

zakończenia cyklu należy nacisnąć przycisk START/PAUSE lub przycisk ŁATWE PRASOWANIE. W programie 11-13 urządzenie zakończy cykl z bielizną namoczoną, kontrolki funkcji ŁATWE PRASOWANIE oraz START/PAUSE będą pulsować. W celu odprowadzenia wody i umożliwienia wyjęcia prania konieczne jest naciśnięcie przycisku START/PAUSE lub przycisku "ŁATWE PRASOWANIE".

! Funkcja ta nie jest dostępna w przypadku programów 9, 10, 12, , .

### Odplamianie



Funkcja ta pomaga usunąć najbardziej oporne plamy. Włożyć dodatkową szufladkę 4, znajdującą się w wyposażeniu pralki, do przegródki 1. Nie przekraczać maksymalnej ilości wybielacza, podanej na środkowym wskaźniku (*patrz rysunek*). Aby wykonać tylko wybielanie, należy włączyć tylko wybielacz do dodatkowego

pojemnika 4 i nastawić program "Plukanie" oraz włączyć opcję "Odplamianie" . Aby przeprowadzić wybielanie w trakcie prania, należy umieścić w odpowiednich przegródkach środek piorący i dodatki, nastawić żądany program i włączyć opcję "Odplamianie" . Użyć dodatkowego pojemniczka 4 wyklucza pranie wstępne. ! Funkcja ta nie jest dostępna z programami 1, 7, 9, 10, 11, 12, 13, , .

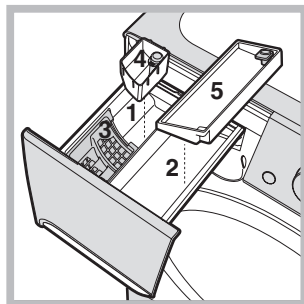
# Środki piorące i bielizna

PL

## Szufladka na środki piorące

Dobry rezultat prania zależy również od prawidłowego dozowania środka piorącego: użycie jego nadmiernej ilości nie poprawia skuteczności prania, lecz przyczynia się do powstawania nalotów na wewnętrznych częściach pralki i do zanieczyszczenia środowiska.

! Nie stosować środków do prania ręcznego, ponieważ tworzą one za dużo piany.



Wysunąć szufladkę i umieścić w niej środek piorący lub dodatkowy w następujący sposób.

### Przegródka 1: Środek piorący do prania wstępnego (w proszku)

Przed wsypaniem środka piorącego należy sprawdzić, czy nie jest włożony dodatkowy pojemnik 4.

### Przegródka 2: Środek piorący do prania zasadniczego (w proszku lub w płynie)

Płynny środek do prania należy włąć dopiero przed samym uruchomieniem programu.

### Przegródka 3: Środki dodatkowe (zmiękczające, itp.)

Środek zmiękczający nie powinien wypływać poza kratkę.

### dodatkowy pojemnik 4: Wybielacz

dodatkowy pojemnik 5: aby poprawić jakość prania, stosować ten pojemnik tylko na środek do prania w płynie.

## Przygotowanie bielizny

- Podzielić bieliznę do prania według:
  - rodzaju tkaniny / symbolu na etykiecie.
  - kolorów: oddzielić tkaniny kolorowe od białych.
- Opróżnić kieszenie i sprawdzić guziki.
- Nie przekraczać wskazanego ciężaru suchej bielizny:
  - Tkaniny wytrzymałe: maks. 6 kg
  - Tkaniny syntetyczne: maks. 2,5 kg
  - Tkaniny delikatne: maks. 2 kg
  - Wełna: maks. 1 kg
  - Jedwab: maks. 1 kg

### Ile waży bielizna?

- 1 prześcieradło 400-500 gr.
- 1 poszewka 150-200 gr.
- 1 obrus 400-500 gr.
- 1 szlafrok 900-1.200 gr.
- 1 ręcznik 150-250 gr.

## Programy specjalne

**Jeans:** przed praniem odwrócić odzież na lewą stronę, stosować środek piorący w płynie. Stosować program 7.

**Koszule:** stosować specjalny program 8 do prania koszul z różnego rodzaju tkanin i w różnych kolorach. Program ten pozwala zachować je w doskonałym stanie, zmniejszając do minimum powstawanie zagnieceń.

**Mix 30 min:** program ten został opracowany w celu szybkiego prania lekko zabrudzonych tkanin: trwa on tylko 30 minut i dzięki temu pozwala na zaoszczędzenie energii i czasu. Ustawiając program 9 można razem wyprać na zimno różnego rodzaju tkaniny (z wyjątkiem wełny i jedwabiu), przy maksymalnym ładunku 3 kg.

**Wełna:** przy pomocy programu 10 można prać w pralce wszystkie wyroby z wełny, również te z etykietą "tylko pranie ręczne" . Aby uzyskać optymalne rezultaty prania, należy stosować specjalny środek piorący i nie przekraczać 1 kg wsadu.

**Jedwab:** stosować odpowiedni program 11 do prania wszelkiego rodzaju wyrobów z jedwabiu. Zaleca się stosowanie specjalnego środka piorącego do tkanin delikatnych.

**Firany:** zaleca się złożyć je i umieścić złożone w poszewce lub w siatkowym worku. Stosować program 11.

**Specjalny obuwie** (program 12) został opracowany do prania obuwia sportowego; dla uzyskania najlepszych rezultatów nie należy prać jednocześnie więcej niż 2 par obuwia.

**Outdoor** (program 13) został opracowany do prania tkanin hydrofobowych i wiatrówek (z takich materiałów jak np. goretex, poliester, nylon); w celu uzyskania jak najlepszych rezultatów należy używać tylko płynnych środków do prania, w takiej ilości jak na połowę zwykłego wsadu; wcześniej zaprać mankiety, kołnierzyki i plamy; nie stosować płynu zmiękczającego ani środków do prania zawierających płyn zmiękczający. *Nie można używać tego programu do prania kurtek puchowych.*



! Pralka została zaprojektowana i wyprodukowana zgodnie z międzynarodowymi normami bezpieczeństwa. Niniejsze ostrzeżenia zostały tu zamieszczone ze względów bezpieczeństwa i należy je uważnie przeczytać.

## Ogólne zasady bezpieczeństwa

- Urządzenie to zostało zaprojektowane wyłącznie do użytkowania w warunkach domowych.
- Urządzenie to nie jest przeznaczone do użytkowania przez osoby (w tym dzieci) o ograniczonej sprawności fizycznej, zmysłowej lub umysłowej oraz nieposiadające odpowiedniego doświadczenia i wiedzy, chyba że używają go pod nadzorem lub po otrzymaniu wskazówek od osoby odpowiedzialnej za ich bezpieczeństwo. Należy pilnować, aby dzieci nie bawiły się urządzeniem.
- Nie dotykać pralki stojąc przy niej bosą lub mając mokre lub wilgotne ręce albo stopy.
- Nie wyjmować wtyczki z gniazdka ciągnąc za kabel, należy trzymać za wtyczkę.
- W trakcie pracy maszyny nie otwierać szufladki na środki piorące.
- Nie dotykać odprowadzanej wody, gdyż może ona być bardzo gorąca.
- W żadnym wypadku nie otwierać na siłę drzwiczek pralki: grozi to uszkodzeniem mechanizmu zabezpieczającego drzwiczki przed przypadkowym otwarciem.
- W razie wystąpienia usterki nie należy w żadnym wypadku ingerować w wewnętrzne części pralki z zamiarem samodzielnego dokonania naprawy.
- Zawsze uważać, aby dzieci nie zbliżyły się do pracującej pralki.
- W czasie prania drzwiczki pralki nagrzewają się.
- Jeśli trzeba przenieść pralkę w inne miejsce, należy to robić bardzo ostrożnie, w dwie lub trzy osoby. Nigdy nie należy samodzielnie przenosić urządzenia, gdyż jest ono bardzo ciężkie.
- Przed włożeniem bielizny sprawdzić, czy bęben jest pusty.

## Utylizacja

- Utylizacja opakowania: stosować się do lokalnych przepisów, dzięki temu opakowanie będzie mogło zostać ponownie wykorzystane.
- Dyrektywa europejska 2002/96/WE dotycząca odpadów urządzeń elektrycznych i elektronicznych przewiduje, że elektryczne urządzenia gospodarstwa domowego nie powinny być utylizowane w normalnym ciągu utylizacji stałych odpadów miejskich. Stare urządzenia powinny być zbierane oddzielnie, aby zoptymalizować stopień odzysku i recykulacji materiałów, z których są one zbudowane, oraz aby zapobiec potencjalnym szkodom dla zdrowia i środowiska.

Symbol przekreślonego kosza jest umieszczony na wszystkich produktach w celu przypominania o obowiązku ich segregacji.

Właściciele urządzeń gospodarstwa domowego mogą uzyskać dodatkowe informacje dotyczące ich prawidłowej utylizacji, zwracając się do odpowiednich służb publicznych lub do sprzedawców tych urządzeń.

# Utrzymanie i konserwacja

PL

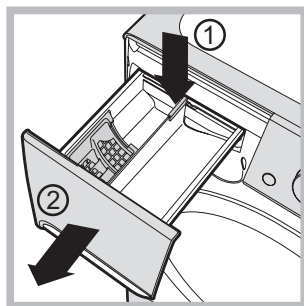
## Odłączenie wody i prądu elektrycznego

- Zamknąć kurek dopływu wody po każdym praniu. W ten sposób zmniejsza się zużycie instalacji hydraulicznej pralki oraz eliminuje się niebezpieczeństwo wycieków.
- Przed przystąpieniem do czyszczenia pralki oraz do czynności konserwacyjnych wyjąć wtyczkę z gniazdka.

## Czyszczenie pralki

Obudowę zewnętrzną i gumowe części pralki można myć ściereczką zmoczoną w letniej wodzie z mydłem. Nie stosować rozpuszczalników ani ściernych środków czyszczących.

## Czyszczenie szufladki na środki piorące



W celu wyjęcia szufladki nacisnąć dźwignię (1) i pociągnąć ją na zewnątrz (2) (patrz rysunek). Wypłukać szufladkę pod bieżącą wodą; czynność tę należy wykonywać często.

## Konserwacja okrągłych drzwiczek i bębna

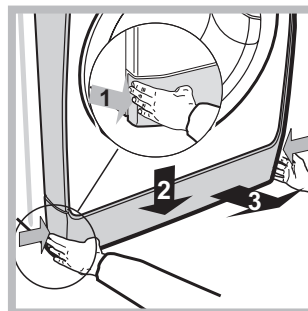
- Drzwiczki pralki należy zawsze pozostawiać uchylone, aby zapobiec tworzeniu się nieprzyjemnych zapachów.

## Czyszczenie pompy

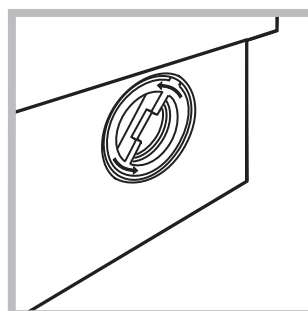
Pralka wyposażona jest w pompę samoczyszczącą, która nie wymaga zabiegów konserwacyjnych. Może się jednak zdarzyć, że drobne przedmioty (monety, guziki) wpadną do komory wstępnej zabezpieczającej pompę, która znajduje się w jej dolnej części.

! Należy się upewnić, że cykl prania został zakończony i wyjąć wtyczkę z gniazdka.

Aby uzyskać dostęp do komory wstępnej:



1. zdjąć panel z przedniej części urządzenia, naciskając go ku środkowi, a następnie popchnąć w dół z dwóch stron i wyjąć go (patrz rysunki).



2. odkręcić pokrywę, obracając ją w kierunku przeciwnym do ruchu wskazówek zegara (patrz rysunek): wypłynięcie niewielkiej ilości wody jest normalnym zjawiskiem;

3. dokładnie wyczyścić wnętrze;
4. ponownie przykręcić pokrywę;
5. ponownie założyć panel upewniwszy się, przed dociśnięciem go do urządzenia, czy zatrzaski zostały umieszczone w odpowiednich otworach.

## Kontrola przewodu doprowadzającego wodę

Przynajmniej raz w roku należy sprawdzić przewód doprowadzający wodę. Jeśli widoczne są na nim pęknięcia i rysy, należy go wymienić: w trakcie prania duże ciśnienie może bowiem spowodować jego nagłe zerwanie.

! Nigdy nie instalować już używanych przewodów.

# Nieprawidłowości w działaniu (i) INDESIT i sposoby ich usuwania

Może się zdarzyć, że pralka nie działa. Przed wezwaniem Serwisu Technicznego (patrz „Serwis Techniczny”) należy sprawdzić, czy problemu nie da się łatwo rozwiązać korzystając z poniższego wykazu.

## Nieprawidłowości w działaniu: Możliwe przyczyny / Rozwiązania:

### Pralka nie włącza się.

- Wtyczka nie jest włączona do gniazdka lub jest wsunięta za słabo, w taki sposób, że nie ma styku.
- W domu nie ma prądu.

### Cykl prania nie rozpoczyna się.

- Drzwiczki nie są dokładnie zamknięte.
- Nie został wciśnięty przycisk ON/OFF.
- Nie został wciśnięty przycisk START/PAUSE.
- Kurek dopływu wody jest zamknięty.
- Zostało ustawione opóźnienie godziny rozpoczęcia prania.

### Pralka nie pobiera wody (Na wyświetlaczu pulsuje napis H2O).

- Przewód doprowadzający wodę nie jest podłączony do zaworu.
- Przewód jest pozaginany.
- Kurek dopływu wody jest zamknięty.
- W domu nastąpiła przerwa w dostawie wody.
- Ciśnienie wody nie jest wystarczające.
- Nie został wciśnięty przycisk START/PAUSE.

### Pralka cały czas pobiera i odprowadza wodę.

- Przewód odpływowy nie został zainstalowany na wysokości między 65 a 100 cm od podłogi (patrz „Instalacja”).
- Końcówka przewodu odpływowego jest zanurzona w wodzie (patrz „Instalacja”).
- Otwór odpływowy w ścianie nie posiada odpowietrznika.

Jeśli po sprawdzeniu tych możliwości problem nie zostanie rozwiązany, należy zamknąć kurek dopływu wody, wyłączyć pralkę i wezwać Serwis Techniczny. Jeśli mieszkanie znajduje się na najwyższych piętrach budynku, może wystąpić efekt syfonu, w wyniku którego pralka cały czas pobiera i odprowadza wodę. W celu wyeliminowania tej niedogodności należy zakupić specjalny zawór, zapobiegający powstawaniu efektu syfonu.

### Pralka nie odprowadza wody i nie odwirowuje prania.

- Program nie przewiduje odprowadzania wody: w przypadku niektórych programów należy uruchomić je ręcznie.
- Została włączona funkcja ŁATWE PRASOWANIE: aby zakończyć program, należy nacisnąć przycisk START/PAUSE („Programy i opcje”).
- Przewód odpływowy jest pozaginany (patrz „Instalacja”).
- Instalacja ściekowa jest zatkana.

### Pralka mocno wibruje w fazie wirowania.

- Podczas instalacji pralki bęben nie został prawidłowo odblokowany (patrz „Instalacja”).
- Pralka nie jest właściwie wypoziomowana (patrz „Instalacja”).
- Pralka, zainstalowana pomiędzy meblami a ścianą, ma za mało miejsca (patrz „Instalacja”).

### Z pralki wycieka woda.

- Przewód doprowadzający wodę nie jest dobrze przykręcony (patrz „Instalacja”).
- Szufładka na środki piorące jest zatkana (w celu jej oczyszczenia patrz „Utrzymanie i konserwacja”).
- Przewód odpływowy nie jest dobrze zamocowany (patrz „Instalacja”).

### Kontrolki „Opcje” oraz START/PAUSE szybko pulsują, a na wyświetlaczu pojawia się kod nieprawidłowości (np.: F-01, F-..).

- Wyłączyć urządzenie i wyjąć wtyczkę z gniazdka, odczekać około 1 minuty, następnie włączyć je ponownie. Jeśli problem nie ustępuje, należy wezwać Serwis Techniczny.

### Tworzy się zbyt duża ilość piany.

- Środek piorący nie jest odpowiedni do pralek automatycznych (na opakowaniu musi być napisane: „do pralek”, „do prania ręcznego i w pralce” itp.).
- Użyto za dużo środka piorącego.

# Serwis Techniczny

---

PL

## Przed skontaktowaniem się z Serwisem Technicznym:

- Sprawdzić, czy problemu nie można rozwiązać samodzielnie (*patrz "Nieprawidłowości w działaniu i sposoby ich usuwania"*);
- Ponownie uruchomić program i sprawdzić, czy problem nie zniknął;
- W przeciwnym wypadku skontaktować się z Serwisem Technicznym.

! Nigdy nie wzywać nieautoryzowanych techników.

## Należy podać:

- rodzaj nieprawidłowości;
- model urządzenia (Mod.);
- numer seryjny (S/N).

Informacje te znajdują się na tabliczce umieszczonej w tylnej części pralki oraz widocznej z przodu po otwarciu drzwiczek.

UK

Українська

PWSE 61070 S

### Зміст

#### Встановлення, 38-39

Розпакування й вирівнювання  
Підключення води й електроенергії  
Перший цикл прання  
Технічні дані

#### Опис пральної машини, 40-41

Панель команд  
Дисплей

#### Як здійснювати цикл прання, 42

#### Програми й опції, 43

Таблиця програм  
Опції прання

#### Пральні засоби і білизна, 44

Касета з пральним засобом  
Підготовка білизни  
Спеціальні програми

#### Запобіжні заходи та поради, 45

Загальна безпека  
Утилізація

#### Технічне обслуговування та догляд, 46

Виключення води й електричного живлення  
Очищення пральної машини  
Очищення касети для пральних засобів  
Догляд за люком та барабаном  
Миття насосу  
Контроль труби для подачі води

#### Несправності та засоби їх усунення, 47

#### Допомога, 48

UK

# Встановлення

UK

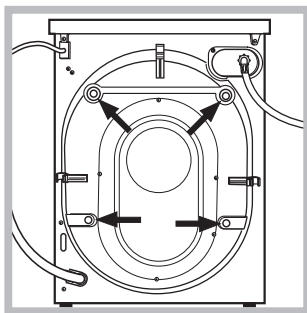
! Зберігайте дану брошуру, щоб мати нагоду звернутися до неї у будь-який момент. У раз продажу, передачі іншій особі або переїзду переконайтеся в тому, що інструкція перебуває разом із пральною машиною й новий власник може ознайомитися з її принципами роботи й відповідними запобіжними заходами.

! Уважно вивчіть інструкцію: в ній міститься важлива інформація щодо встановлення, використання та безпеки.

## Розпакування й вирівнювання

### Розпакування

1. Розпакування пральної машини  
2. Вдоскональтеся, що машина не зазнала ушкодженнь під час транспортування. Якщо такі є, не виконуйте ніяких підключень та негайно зверніться до постачальника.



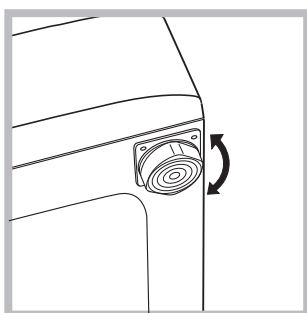
3. Видаліть 4 запобіжні гвинти для транспортування та гумову прокладку з відповідною розпірною деталлю, які знаходяться позаду (див. малюнок).

4. Закрийте отвори пластмасовими пробками з комплекту постачання.  
5. Зберігайте всі компоненти: у разі транспортування пральної машини їх потрібно повернути на місце.

! Забороняйте дітям гратися з упаковками.

### Вирівнювання

1. Встановіть пральну машину на плоскій та твердій підлозі, не притуляючи її до стін, меблів, тощо.

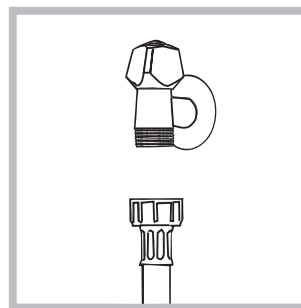


2. Якщо підлога не є ідеально горизонтальною, компенсуйте нерівності за допомогою передніх ніжок (див. малюнок) – розкручуючи чи закручуючи їх; кут нахилу відносно робочої поверхні не повинен перевищувати 2°.

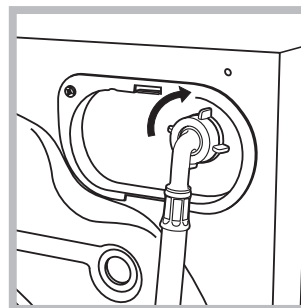
Належне вирівнювання забезпечить стабільність машині та запобіжить вібраціям, шуму та пересуванням під час роботи. У випадку встановлення машини на килимовому покритті або килимах, ніжки необхідно відрегулювати таким чином, щоб гарантувати під пральною машиною необхідний простір для вентиляції.

## Підключення води й електроенергії

### Під'єднання труби для подачі води



1. Підключити трубу подачі, прикрутивши її до крану холодної води за допомогою штуцера з газовою різьбою 3/4 (див. схему).  
Перед підключенням зливайте воду, доки вона не стане прозорою.



2. Підключіть трубу подачі води до пральної машини, під'єднавши його до водорозбірного крану, який знаходиться угорі праворуч на задньому боці машини (див. малюнок).

3. Зверніть увагу, щоб труба не мала згинів та утисків.

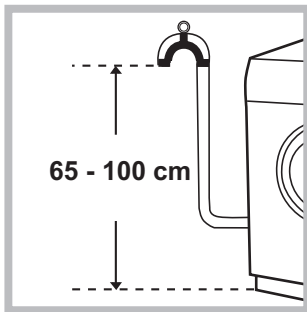
! Тиск води в крані має відповідати значенням у таблиці Технічних даних (див. сторінку поруч).

! Якщо довжини труби для води не вистачає, зверніться у спеціалізовану крамницю або до уповноваженого фахівця.

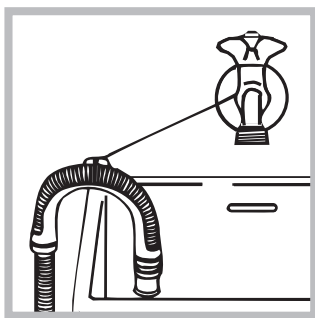
! Не користуйтеся трубами, які були вже у вживанні.

! Використовуйте труби з комплекту постачання.

### Під'єднання шлангу злива води



Під'єдняйте зливний шланг, не згинаючи його, до каналізації або до зливного отвору у стіні на висоті від 65 до 100 см від підлоги.



Або покладіть його на край вмивальника або ванни; прив'язавши направляючу з комплекту постачання докрана (див. малюнок). Не залишайте вільний кінець зливного шланга зануреним у воду.

! Використання подовжувача шланга не рекомендоване. При використанні подовжувача шланга (якщо це дійсно є необхідним), переконайтеся у тому, що він має той самий діаметр та його довжина не перевищує 150 см.

### Електричні підключення

Перш ніж увімкнути вилку в електричну розетку, переконайтеся в тому, що:

- розетка має заземлення у відповідності до встановлених норм;
- розетка розрахована на максимальне навантаження у межах потужності машини, зазначене у таблиці Технічних даних (див. малюнок поруч);
- напруга живлення перебуває у межах, зазначених у таблиці Технічних даних (див. малюнок поруч);
- розетка підходить до вилки пральної машини. В іншому випадку замініть розетку або вилку.

! Машину не можна встановлювати поза приміщенням, навіть в захищених місцях, тому що дуже небезпечно піддавати її впливу дощу і грози.

! Коли машину вже встановлено, забезпечте вільний доступ до електричної розетки.

! Не використовуйте подовжувачі й трійники.

! Шнур не повинен мати згинів або утисків.

! Заміна шнура живлення має виконуватися тільки вповноваженими фахівцями.

Увага! Підприємство знімає з себе відповідальність у разі недотримання вказаних правил.

### Перший цикл прання

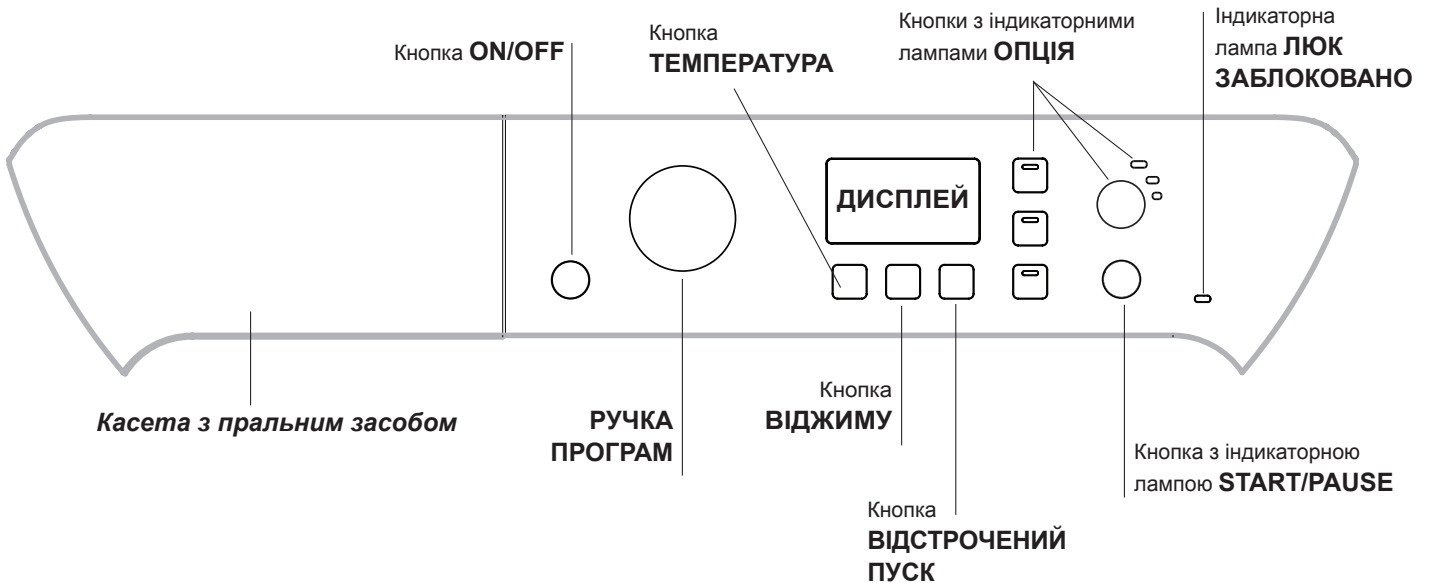
Після встановлення, перш ніж розпочати використання машини, виконайте цикл прання з пральним засобом, але не завантажуючи білизну, встановивши програму 2.

Технічні дані	
Модель	PWSE 61070 S
Розміри	ширина 59,5 см висота 85 см глибина 44,5 см
Кількість білизни	від 1 до 6 кг
Електричні підключення	див. шильдік з технічними даними на машині
Водопровідні підключення	максимальний тиск 1 мПа (10 бар) мінімальний тиск 0,05 мПа (0,5 бар) об'єм баку – 40 літри
Швидкість центрифуги	до 1000 обертів на хвилину
Програма випробувань відповідно до Директиви 2010/1061	програма 2; температура 60°C і 40°C.
Програми контролю згідно з нормою EN 60456	програма 2; температура 60°C; виконується з завантаженням 6 кг.
<p>Цей прилад відповідає таким європейським директивам:</p> <ul style="list-style-type: none"> <li>- 2004/108/CE (Електромагнітна сумісність)</li> <li>- 2002/96/CE</li> <li>- 2006/95/CE (Низька напруга)</li> </ul>	


# Опис пральної машини

УК

## Панель команд





**Касета з пральним засобом:** для завантаження пральних засобів та присадок (див. “Пральні засоби та білизна”).


Кнопка **ON/OFF** : швидко натисніть і відпустіть кнопку для увімкнення або вимкнення машини. Індикаторна лампа **START/PAUSE** блимає синім світлом з повільними інтервалами, вказуючи на те, що машину ввімкнено. Для вимкнення пральної машини під час прання необхідно утримувати кнопку натиснутою більше 3 сек.; короточасне або випадкове натискання не дозволить вимкнути машину. Вимкнення машини під час циклу прання відмінює це прання.

**РУЧКА ПРОГРАМ:** для задання бажаної програми (див. “Таблиця програм”).


Кнопки з індикаторними лампами **ОПЦІЯ:** для вибору наявних опцій. Індикаторна лампа опції залишається увімкненою.

Кнопка **ВІДЖИМУ** : натискання викликає зменшення або виключення віджиму взагалі; значення відображується на дисплеї.

Кнопка **ТЕМПЕРАТУРИ** : натискання викликає зменшення або виключення температури взагалі; значення відображується на дисплеї.

Кнопка **ВІДКЛАДЕНОГО ПРАННЯ** : натискання викликає відкладення пуску обраної програми; значення затримки відображується на дисплеї.

Кнопка з індикаторною лампою **START/PAUSE** : коли синя індикаторна лампа блимає з повільними інтервалами, натисніть на кнопку для запуску прання. Якщо цикл розпочався, індикаторна лампа горить постійно. Щоб призупинити прання (режим паузи), знову натисніть на кнопку; індикаторна лампа блиматиме янтарним кольором. Якщо індикаторна лампа  не світиться, люк можна відкрити (Приблизно через 3 хвилини). Щоб продовжити прання з місця, де воно було перерване, знову натисніть на кнопку.

Індикаторна лампа **ЛЮК ЗАБЛОКОВАНО** : Якщо індикаторна лампа світиться, це означає, що люк заблоковано. З метою запобігання ушкодженням, перш ніж відкрити люк, вдоскональтеся, що індикаторна лампа не горить (Приблизно через 3 хвилини).

Щоб відкрити дверцята люку під час виконання циклу натисніть на кнопку **START/PAUSE**; якщо індикаторна лампа **ЛЮК ЗАБЛОКОВАНО**  згасне, це означає, що люк можна відкрити.

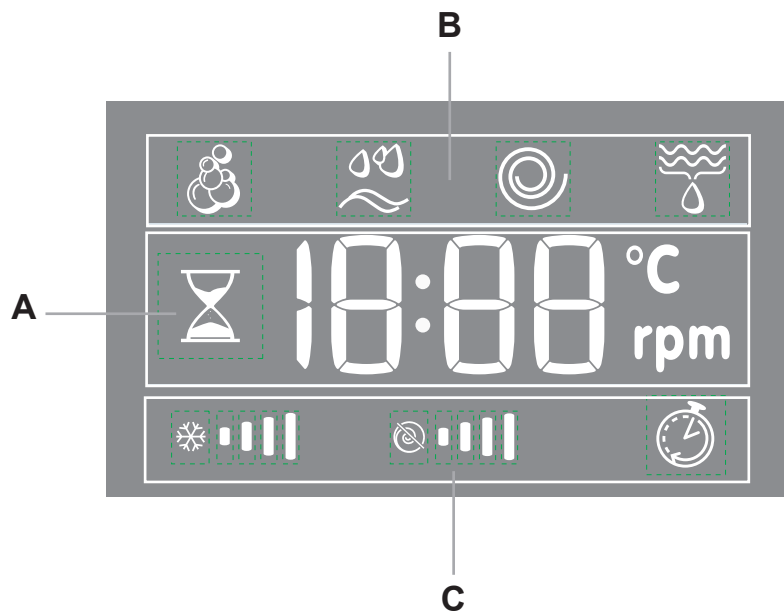
### Режим очікування

Відповідно до норм, пов'язаних з заощадження енергії, цю пральну машину оснащено системою автовимкнення (stand by), яка активується через декілька (30) секунд відсутності роботи з боку машини. Швидко натисніть кнопку **ON/OFF** та зачекайте відновлення роботи машини.



## Дисплей


UK



Дисплей є зручним для програмування машини; він надає різноманітну інформацію.

В розділі **A** відображується тривалість різних наявних програм; при розпочатому циклі – відображується час, який залишився до завершення цього циклу; якщо встановлено **ВІДСТРОЧЕНИЙ ПУСК**, відображується час, якого бракує до початку вибраної програми.

Крім того, при натисканні на відповідну кнопку з'являються максимальні значення швидкості центрифуги (віджиму) та температури, з якими машина може виконувати задану програму. Або з'являються останні задані значення, сумісні з обраною програмою.

Клепсидра блиматиме під час обробки даних, відповідних обраній програмі та рівню інтелектуального налаштування . Через 10 хвилин після пуску позначка “клепсидри” почне горіти постійним світлом та з'явиться остаточний час, який залишився. Позначка “клепсидри” згасне приблизно через 1 хвилину після показу остаточного часу.

В розділі **B** відображуються “стадії прання”, передбачені для обраного циклу, та при розпочатій програмі “стадії прання”:


 Прання


 Полоскання


 Віджим

 Злив

В розділі **C** маються такі індикаторні лампи (зліва направо): “температура”, “віджим” та “відкладений пуск”.

Штрихові позначки “температури”  вказують на рівень поточної температури відносно максимальної для заданого циклу.




Штрихові позначки “віджиму”  вказують на рівень поточного віджиму відносно максимальної для заданого циклу.



Увімкнена індикаторна лампа відкладеного пуску “відкладений пуск”  вказує на те, що на дисплеї відображується значення запрограмованого “Відкладеного прання”.

# Як здійснювати цикл прання

UK

- 1. УВІМКНУТИ МАШИНУ.** Натиснути кнопку ; індикаторна лампа START/PAUSE блиматиме синім світлом з повільними інтервалами.
- 2. ЗАВАНТАЖИТИ БІЛИЗНУ.** Відкрити люк. Завантажити білизну, намагаючись не перевищити кількість білизни, зазначену в таблиці програм на наступній сторінці.
- 3. ВІДМІРЯТИ ПРАЛЬНИЙ ЗАСІБ.** Витягнути касету і додати пральний засіб у відповідні ванночки, як вказано в розділі “Пральні засоби і білизна”.
- 4. ЗАКРИТИ ЛЮК.**
- 5. ВИБРАТИ ПРОГРАМУ.** Вибрати за допомогою ручки ПРОГРАМ бажану програму; кожна програма має параметри температури та швидкості віджиму (центрифуги), які можна налаштувати. На дисплеї з'явиться тривалість циклу.
- 6. НАЛАШТУВАТИ ЦИКЛ ПРАННЯ ПІД ВЛАСНІ ПОТРЕБИ.** Це здійснюється за допомогою відповідних кнопок:

  **Змінити температуру і/або швидкість віджиму.** На дисплеї автоматично відображується максимальна температура і швидкість центрифуги, передбачені для заданої програми. Або останні задані параметри, якщо вони є сумісними з вибраною програмою. Натисканням на кнопку  отримується поступове зменшення температури аж до холодного прання “OFF”. Натисканням на кнопку  отримується поступове зменшення швидкості віджиму аж до його виключення взагалі “OFF”. Наступне натискання на кнопки призводить до повернення до максимальних значень.


 **Задати відстрочений пуск.** Для встановлення відстроченого пуску обраної програми натискати на відповідну кнопку, доки не з'явиться необхідний час відстрочення. При увімкненій опції на дисплеї горить індикаторна лампа . Щоб скасувати відстрочений пуск, натискати на кнопку до появи на дисплеї напису “OFF”.

   **Змінити характеристики циклу.**



- Натиснути на кнопку для увімкнення опції; при цьому спалахне відповідна індикаторна лампа.
- Натиснути знову на кнопку, щоб скасувати вибір; індикаторна лампа згасне.


**!** Якщо вибрана опція несумісна з заданою програмою, індикаторна лампа почне блимати й вибір не буде активований.

**!** Якщо вибрана опція несумісна з іншою, попередньо заданою, індикаторна лампа першої вибраної функції почне блимати й увімкнеться тільки друга, індикаторна лампа активованої опції спалахує.

**Примітка:** при активованій опції інтелектуального режиму  будь-яка інша несумісна опція не зможе бути активованою.

**!** Опції можуть змінювати рекомендоване завантаження та/або тривалість циклу.

- 7. ЗАПУСТИТИ ПРОГРАМУ.** Натиснути на кнопку START/PAUSE. Відповідна індикаторна лампа спалахує синім світлом, при цьому люк буде заблоковано (світлитиметься індикаторна лампа ЛЮК ЗАБЛОКОВАНО ). Для зміни програми під час виконання циклу призупиніть машину, натиснувши на кнопку START/PAUSE (індикаторна лампа START/PAUSE блиматиме янтарним світлом з повільними інтервалами); виберіть бажаний цикл та знову натисніть на кнопку START/PAUSE. Щоб відкрити дверцята люку під час виконання циклу, натисніть на кнопку START/PAUSE; якщо індикаторна лампа ЛЮК ЗАБЛОКОВАНО  згасне, це означає, що люк можна відкрити (Приблизно через 3 хвилини). Знову натисніть на кнопку START/PAUSE, щоб продовжити програму з того місця, де її було перервано.
- 8. ЗАВЕРШЕННЯ ПРОГРАМИ.** На це вказує напис “END” на дисплеї; коли згасне індикаторна лампа ЛЮК ЗАБЛОКОВАНО , люк можна відкрити (Приблизно через 3 хвилини). Відкрити люк, витягнути білизну й вимкнути машину.

**!** Якщо необхідно анулювати вже розпочатий цикл, утримуйте кнопку  натиснутою відносно тривалий час. Цикл буде перерваний, і машина вимкнеться.

## Система балансування завантаження

Перед кожним віджимом, для запобігання надмірній вібрації та для рівномірного розподілу навантаження, барабан здійснює оберти на дещо більшій швидкості, ніж швидкість прання. Якщо по закінченні декількох спроб завантажені речі ще не були правильно відбалансовані, машина здійснює віджим на швидкості, нижчій від передбаченої. У випадку надмірної незбалансованості пральна машина здійснює розподіл замість віджиму. З метою оптимального розподілу завантаження та його правильного балансування рекомендується одночасне прання великих і малих речей.

## Таблиця програм

Програми	Опис програми	Макс. темп. (°C)	Макс. швидкість (обертів за хвилину)	Пральні засоби та додаткові засоби				Макс. завантаження (кг)	Тривалість циклу	
				Попереднє прання	Прання	Відбілювач	Пом'якшувач			
<b>Програми, якими можна користуватися щодня</b>										
1	<b>Бавовна з попереднім пранням:</b> вкрай забруднен біл.	90°	1000	●	●	-	●	6	Тривалість програм відображається на дисплеї:	
2	<b>Біла бавовна:</b> вкрай забруднен біл.	90°	1000	-	●	●	●	6		
2	<b>Біла бавовна (1):</b> дуже забруднені стійкі білі та кольорові тканини.	60°	1000	-	●	●	●	6		
2	<b>Біла бавовна (1-2):</b> дуже забруднені делікатні білі та кольорові тканини.	40°	1000	-	●	●	●	6		
3	<b>Бавовна:</b> дуже забруднені стійкі білі та кольорові тканини.	60°	1000	-	●	●	●	6		
4	<b>Бавовна кольорова (3):</b> злегка забруднені білі та кольорові делікатні тканини.	40°	1000	-	●	●	●	6		
5	<b>Синтетичні:</b> Злегка забруднені кольорові стійкі тканини	60°	800	-	●	●	●	2,5		
6	<b>Синтетичні:</b> Злегка забруднені кольорові стійкі тканини	40°	800	-	●	●	●	2,5		
7	<b>Джинси</b>	40°	800	-	●	-	●	2,5		
8	<b>Сорочки</b>	40°	600	-	●	●	●	2		
9	<b>Mix-Cool 30':</b> Для швидкого освіження злегка забруднених речей (не рекомендоване для вовняних, шовкових речей або речей для ручного прання)	Холодна вода	800	-	●	-	●	3		
<b>Особливі</b>										
10	<b>Вовна:</b> для речей з вовни, кашеміру, тощо.	40°	600	-	●	-	●	1		
11	<b>Шовк/Портсьери:</b> для речей з шовку, віскози, для нижньої білизни.	30°	0	-	●	-	●	1		
12	<b>Sport Shoes</b>	30°	600	-	●	-	●	Макс 2 пари		
13	<b>Outwear</b>	30°	400	-	●	-	-	1,5		
<b>Часткові</b>										
	Полоскання	-	1000	-	-	●	●	6		
	Віджим	-	1000	-	-	-	-	6		
	Злив	-	0	-	-	-	-	6		

Тривалість циклу, вказана на дисплеї або в керівництві, розрахована на основі стандартних умов роботи. Фактичний час може залежати від чисельних факторів, таких як температура і тиск подаваної води, температура у приміщенні, кількість миючого засобу, кількість і тип завантаженої білизни, зрівноваження завантаженої білизни, додаткові обрані опції.

Для всіх Установ з проведення випробувань:

1) Програма керування згідно до норми 2010/1061: встановити програму 2 з температурою 60°C і 40°C.

2) Довга програма бавовна: встановити програму 2 з температурою 40°C.

3) Коротка програма бавовна: встановити програму 4 з температурою 40°C.

1) Програма керування згідно до норми EN 60456: встановити програму 2 з температурою 60°C.

## Опції прання

Технологія «PRIME» на основі фактично завантажених речей оптимізує споживання енергії, води і часу. Крім того, натисканням на кнопку можна обрати опцію:

- **Water (Вода):** Дозволяє зменшити споживання води без впливу на результати, які залишаються відмінними (рекомендується для дуже забруднених речей).

- **Energy (Енергія):** опція встановлюється автоматично з «PRIME» та забезпечує енергозбереження (рекомендується для звичайно забруднених речей).

- **Time (Час):** дозволяє зменшити тривалість прання (рекомендується для злегка забруднених речей).

! Може працювати лише з програмами 1, 2, 3, 4, 5, 6 (всі три рівні) та 7, 8, 9 (рівні - **Energy** та - **Time**).

### Додаткове полоскання

При виборі цієї опції збільшується ефективність полоскання, забезпечуючи повніше видалення прального засобу. Вона є зручною для осіб зі шкірою, особливо чутливою до пральних засобів.

! Не працює з програмами 9, , .

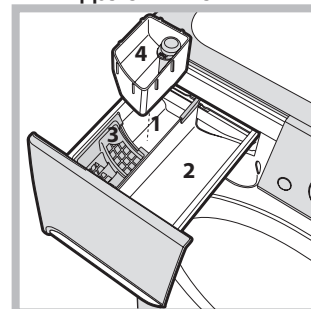
### Полегшене прасування

При виборі даної функції режими прання і віджиму будуть відповідно змінені для зменшення утворення складок. Наприкінці циклу пральна машина виконає повільні оберти барабану; індикаторна лампа опції ПОЛЕГШЕНОГО ПРАСУВАННЯ та ПУСКУ/ПАУЗИ блиматимуть (перша синім

світлом, друга - янтарним). Для завершення циклу натисніть на кнопки ПУСКУ/ПАУЗИ чи ПОЛЕГШЕНОГО ПРАСУВАННЯ. У програмі 11-13 машина закінчить цикл із замоченою білизною й увімкне індикаторну лампу функції ПОЛЕГШЕНОГО ПРАСУВАННЯ та ПУСКУ/ПАУЗИ, які почнуть блимати. Щоб злити воду й отримати можливість витягнути білизну, натисніть на кнопку ПУСКУ/ПАУЗИ або кнопку ПОЛЕГШЕНОГО ПРАСУВАННЯ.

! Не працює з програмами 9, 10, 12, , .

### Видалення плям



Ця функція є корисною для видалення стійких плям. Вставте додаткову ванночку 4 з комплекту постачання у відділення 1. Під час дозування відбілювача не перевищуйте максимальний рівень "max" на центральному стрижні (див. малюнок). Щоб виконати лише відбілювання, заповніть відбілювачем

додаткову ванночку 4, задайте програму "Полоскання" та активуйте опцію "Видалення плям" . Для відбілювання під час прання заповніть ємність пральним засобом та додатковими засобами, встановіть бажану програму та активуйте опцію "Видалення плям" . При використанні додаткової ванночки 4 попереднє прання неможливе.

! Не працює з програмами 1, 7, 9, 10, 11, 12, 13, , .

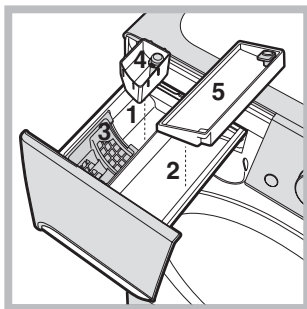
# Пральні засоби і білизна

UK

## Касета з пральним засобом

Добрий результат прання залежить також від правильного дозування прального засобу: надлишок прального засобу приведе до неефективного прання та сприятиме утворенню накипу всередині пральної машини, а також забрудненню довілля.

! Не використовуйте засоби для ручного прання, тому що вони утворюють надто багато піни.



Витягніть касету для пральних засобів та додайте пральні засоби або засоби з догляду, як вказано нижче.

### ванночка 1: Засіб для попереднього прання (порошковий)

Перш ніж додати пральний засіб, перевірте, щоб не була вставлена додаткова ванночка 4.

### ванночка 2: Засіб для прання (порошковий чи рідкий)

Рідкий пральний засіб наливайте безпосередньо перед запуском машини.

### ванночка 3: Засоби з догляду (пом'якшувач, тощо)

Пом'якшувач не має витікати з решітки.

### додаткова ванночка 4: Відбілювач

додаткова ванночка 5: рекомендується використовувати цю ванночку для рідкого прального засобу.

## Підготовка білизни

- Розділіть білизну, враховуючи: тип тканини / позначку на етикетці. кольори: відокремте кольорові речі від білих.
- Перевірте кишені й гудзики.
- Не перевищуйте вказані значення щодо ваги сухої білизни:
  - Міцні тканини: макс. 6 кг
  - Синтетичні тканини: макс. 2,5 кг
  - Делікатні тканини: макс. 2 кг
  - Вовна: макс. 1 кг
  - Шовк: макс. 1 кг

### Скільки важить білизна?

- 1 простирадло 400-500 г
- 1 наволочка 150-200 г
- 1 скатертина 400-500 г
- 1 махровий халат 900-1200 г
- 1 рушник 150-250 г

## Особливі речі

**Джинси:** виверніть речі навиворіт перед пранням та використовуйте рідкий пральний засіб.

Використовуйте програму 7.

**Сорочки:** використовуйте спеціальну програму 8 для прання сорочок різних кольорів та з різних тканин. Завдяки меншому утворенню складок гарантується максимальний догляд за виробом.

**Mix-Cool 30°:** розроблений для прання злегка забруднених речей за короткий час: його тривалість складає лише 30 хвилин, що заощаджує енергоспоживання та час. За допомогою програми 9 можна випрати разом речі з різноманітних тканин (за винятком вовни та шовку) при максимальному завантаженні у 3 кг.

**Вовна:** за допомогою програми 10 можна прати у пральній машині всі вироби із вовни, навіть ті, що мають ярлик "тільки ручне прання". Щоб отримати кращі результати, використовуйте спеціальний пральний засіб та не перевищуйте завантаження в 1 кг.

**Шовк:** використовуйте спеціальну програму 11 для прання шовкових речей. Рекомендується використання спеціального прального засобу для делікатних виробів.

**Штори:** рекомендується скласти й покласти у наволочку або мішечок з сітки. Скористайтеся програмою 11.

**Sport Shoes** (програма 12) розрахована для прання спортивного взуття; для отримання найкращих результатів не завантажуйте більше 2 пар взуття.

**Outwear** (програма 13) розрахована для прання непромокальних тканин та жакетів (напр., горетекс, поліефір, нейлон); для отримання найкращих результатів використовуйте рідкий пральний засіб та відмірте дозу для половинного завантаження; заздалегідь обробіть манжети, комірки та плями; не використовуйте пом'якшувачі або пральні засоби з пом'якшувачами. Використовуючи цю програму, не можна прати набивні пуховики.

! Проектування та виробництво машини здійснено у відповідності до міжнародних норм безпеки. Ці попередження надаються задля вашої безпеки: уважно ознайомтеся з ними.

## Загальна безпека

- Даний прилад розроблений виключно для побутового використання.
- Цей апарат не має використовуватися дітьми або особами з обмеженими фізичними, сенсорними чи розумовими можливостями, або якщо їм бракує досвіду та необхідних знань. Винятки складають ситуації, коли користування відбувається під наглядом або за вказівками осіб, відповідальних за їхню безпеку. Дорослі мають стежити, щоб діти не гралися з апаратом.
- Машина має використовуватися тільки повнолітніми особами і згідно з інструкціями, наведеними у даній брошурі.
- Не торкайтеся машини голими ногами або мокрими чи вологими руками й ногами.
- Не виймайте вилку з електричної розетки, витягуючи її за шнур, тримайтеся тільки за саму вилку.
- Не відкривайте касету з пральними засобами під час роботи машини.
- Будьте обережні: вода, що зливається, може бути дуже гарячою.
- У жодному випадку не застосовуйте силу до люку: це може ушкодити запобіжний механізм проти випадкових відкривань.
- Якщо машина не працює через несправності, у жодному випадку не робіть спроб самостійно виконати ремонт внутрішніх механізмів.
- Слідкуйте, щоб діти не наближалися до працюючої машини.
- Під час прання люк нагріватиметься.
- Пересування машини має здійснюватися двома або трьома особами за умови максимальної уваги. Ні в якому разі - однією особою, тому що машина дуже важка.
- Перш ніж завантажити білизну, перевірте, щоб барабан був порожній.

## Утилізація

- Утилізація пакувального матеріалу: додержуйте місцевих норм, так як пакування може бути використане повторно.
- Європейська директива 2002/96/CE з відходів електричної й електронної апаратури передбачає, що побутові електроприлади не можуть перероблятися у звичайному порядку для твердих міських відходів. Зняті з експлуатації побутові прилади мають бути зібрані окремо для оптимізації ступеню відновлення

й повторного використання матеріалів, що входять до їхнього складу, та з метою усунення потенційної шкоди для здоров'я та довкілля. Символ закресленої корзини, зображений на всіх виробках, нагадує про необхідність окремої утилізації. Для подальшої інформації щодо правильної утилізації побутової техніки, їхні власники можуть звернутися до відповідних міських служб або до постачальника.

# Технічне обслуговування та догляд

УК

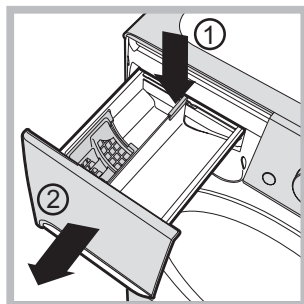
## Як відключити воду й електричне живлення

- Закривайте водопровідний кран після кожного прання. У такий спосіб зменшується знос гідравлічної частини машини й усувається небезпека витоків.
- Виймайте штепсель з розетки під час миття машини та під час робіт з технічного обслуговування.

## Очищення пральної машини

Зовнішня частина і гумові деталі можуть бути вимиті ганчіркою, змоченою у мильному розчині теплої води. Не використовуйте розчинники або абразивні засоби.

## Очищення касети для пральних засобів



Щоб витягти касету, натисніть на важіль (1) і потягніть касету назовні (2) (див. малюнок).

Промийте під проточною водою; ця процедура має проводитися регулярно.

## Догляд за люком та барабаном

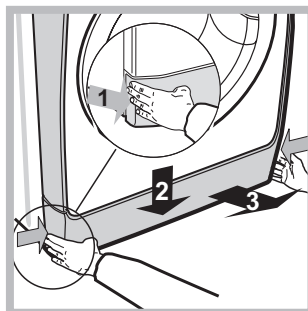
- Завжди залишайте люк напіввідкритим для запобігання утворенню неприємних запахів.

## Миття насосу

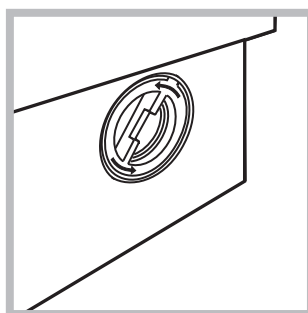
Пральну машину обладнано насосом з автоматичним очищенням, який не вимагає технічного обслуговування. Може трапитися так, що малі предмети (монети, гудзики) потраплять до форкамери, що захищає насос, розташований у її нижній частині.

! Переконайтеся у тому, що цикл прання закінчено і витягніть вилку з розетки.

Щоб потрапити до форкамери:



1. зніміть захисну панель з передньої частини машини шляхом натискання у центрі, потім натисніть униз з обох боків та витягніть її (див. малюнок).



2. відкрутіть кришку, обертаючи її проти годинникової стрілки (див. малюнок): виток незначної кількості води є нормальним;

3. ретельно очистіть всередині;
4. знову закрутіть кришку;
5. встановіть панель на місце, пересвідчіться у тому, що крюки були вставлені у спеціальні петлі, після чого притисніть її до машини.

## Перевірка шланга для подачі води

Перевіряйте шланг для подачі води не менше одного разу на рік. Якщо на ньому є тріщини, він підлягає заміні: під час прання високий тиск може призвести до розірвання.

! Не користуйтеся шлангами, які були вже у вживанні.

Може трапитися так, що пральна машина не працюватиме. Перш ніж зателефонувати у Сервісний центр (див. "Допомога"), перевірте, чи не є дана несправність проблемою, що легко вирішується за допомогою наведеного нижче списка.

## Несправності:

**Пральна машина не вмикається.**

**Цикл прання не розпочинається.**

**Пральна машина не завантажує воду (на дисплеї розпочинає блимати напис "H2O").**

**Машина безперервно завантажує і зливає воду.**

**Пральна машина не зливає воду чи не віджимає.**

**Пральна машина дуже вібрує під час віджиму.**

**Пральна машина пропускає воду.**

**Індикаторні лампи "Опцій" та "START/PAUSE" блимають, та на дисплеї виводиться код несправності (напр.: F-01, F-..).**

**Утворюється занадто багато піни.**

## Можливі причини/Рішення:

- Вилка не вставлена в електричну розетку або вставлена не до кінця.

- У будинку немає електроенергії.

- Люк погано закрито.
- Кнопку ON/OFF не було натиснуто.
- Кнопку START/PAUSE не було натиснуто.
- Водопровідний кран закритий.
- Якщо відстрочення задане на час пуску.

- Шланг подачі води не під'єднано до водопровідного крану.
- Перегин у шлангу.
- Водопровідний кран закритий.
- У водопроводі немає води.
- Недостатній тиск.
- Кнопку START/PAUSE не було натиснуто.

- Зливний шланг не знаходиться на відстані від 65 до 100 см від підлоги (див. "Встановлення").

- Кінець зливного шланга занурений у воду (див. "Встановлення").

- Стінний каналізаційний злив не має віддушини для виходу повітря.

Якщо після таких перевірок проблема залишається, закрийте водопровідний кран, вимкніть машину і зателефонуйте у Сервісний центр. Якщо квартира знаходиться на верхніх поверхах будинку, можливо, відбувається сифонний ефект, при якому машина безперервно завантажує й зливає воду. Щоб його ліквідувати, існують спеціальні антисифонні клапани, які можна придбати у торговельній мережі.

- Програма не передбачає зливання: в деяких програмах його необхідно робити вручну.

- Активовано опцію ПОЛЕГШЕНОГО ПРАСУВАННЯ: для завершення програми натисніть на кнопку START/PAUSE ("Програми і опції").

- Перегин зливного шланга (див. "Встановлення").

- Засмітився зливний шланг.

- Барабан, у момент встановлення, не був правильно розблокований (див. "Встановлення").

- Машина стоїть не на плоскій поверхні (див. "Встановлення").

- Машину затиснуто між меблями і стіною (див. "Встановлення").

- Погано пригвинчений шланг подачі води (див. "Встановлення").

- Забруднена касета для пральних засобів (очищення касетидив. "Технічне обслуговування і догляд").

- Погано закріплений зливний шланг (див. "Встановлення").

- Вимкніть машину й витягніть вилку з розетки, зачекайте близько 1 хвилини й увімкніть її знову.

Якщо несправність не усунена, зателефонуйте у Сервісний центр.

- Пральний засіб не підходить для пральної машини (має бути напис "для машинного прання", "для ручного й машинного прання", або подібний).

- Перевищена доза прального засобу.

**Перш ніж зателефонувати у Сервісний центр:**

- Перевірте, чи можна самостійно вирішити проблему (див. *“Несправності і засоби їх усунення”*);
- Запустіть програму повторно, щоб перевірити чи усунено несправність;
- Якщо несправність не усунено, зверніться до Сервісного центру.

**!** Звертайтеся виключно до уповноважених фахівців.

**Слід повідомити:**

- тип несправності;
- модель машини (Мод.);
- серійний номер (С/Н);

Цю інформацію ви знайдете на заводській табличці позаду пральної машини та в її передній частині, якщо ви відкриєте люк.